

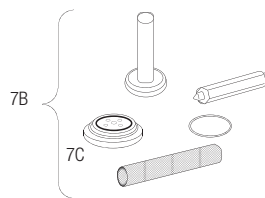
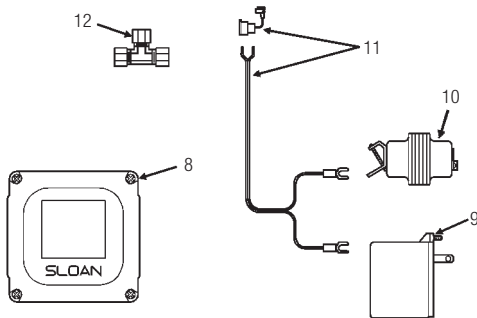
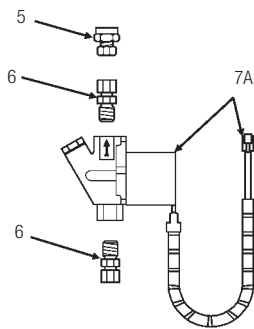
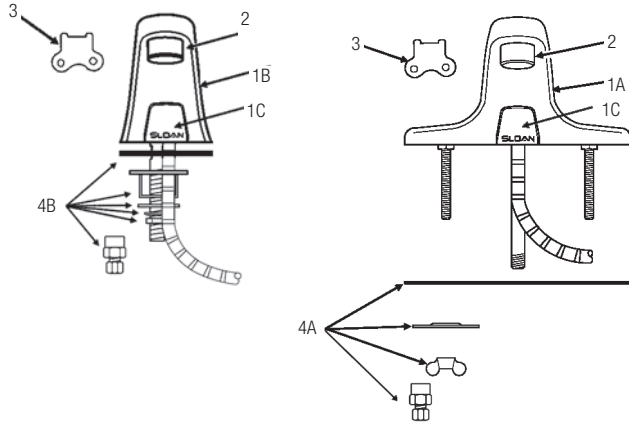
OLD Optima® ETF-600/ETF-610



ETF-610



ETF-600



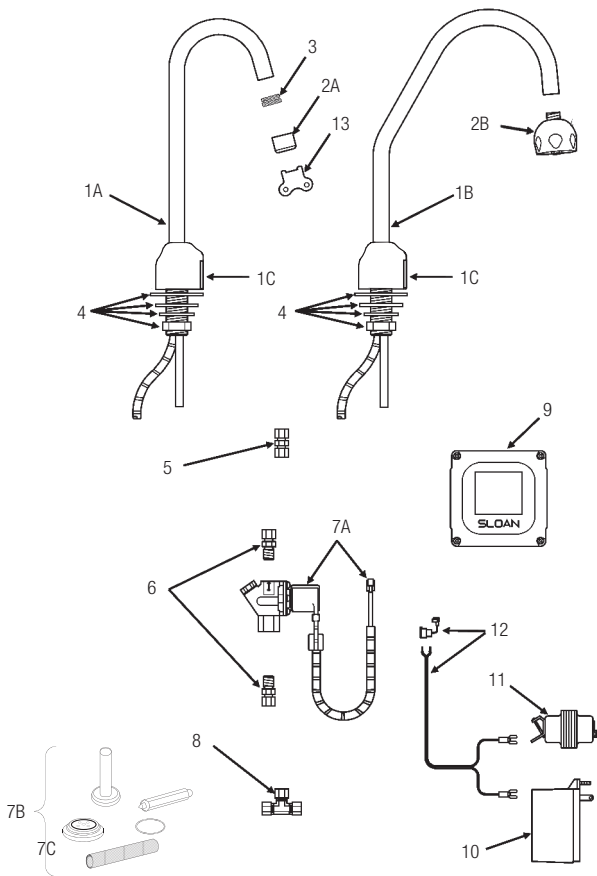
PARTS LIST—ETF-600 AND ETF-610 FAUCETS

Item No.	Code No.	Part No.	Description
1A.	0365086	ETF-543-A	Faucet and Sensor Assembly (ETF-600)
1B.	0365117	ETF-570-A	Pedestal Faucet and Sensor Assembly (ETF-610)
1C.	0365070	ETF-542-A	Sensor Module Only (for ETF-600 and ETF-610 faucets) includes 18" (153 mm) armored Cable, Shroud, and Housing for Sensor Window
2.	3365092	ETF-1023-A	0.5 gpm (1.9 Lpm) Spray Head with Key (male thread)
	3365093	ETF-1024-A	2.2 gpm (8.3 Lpm) Aerator Spray Head with Key (male thread)
	3365162	ETF-1029-A	2.2 gpm (8.3 Lpm) Laminar Flow Spray Head with Key (male thread)
	3365756	ETF-1039-A	0.35 gpm (1.3 Lpm) Multi-Lam Spray Head VR
3.	0305927	ETF-435	Replacement Key Only
4A.	3365088	ETF-546-A	Faucet Mounting Kit for ETF-600 includes Base Gasket, two (2) Slotted Mounting Washers, two (2) Wing Nuts, and Compression Fitting Connector
4B.	0315085	EBF-123-A	Faucet Mounting Kit for ETF-610 includes Spacer, Base Gasket, 1/4" NPSM Hex Nut, Washer, 9/16" Lock Washer and Compression Fitting Connector
5.	0365058	ETF-547	1/8" NPT Pipe to 3/8" Tube Compression Fitting Connector (female)
6.	3365676	ETF-437-A	Single Solenoid Supply Kit includes, two (2) Compression Fittings, Compression Nut, and Ferrule
7A.	0305849	ETF-370-A	24 VAC Solenoid Valve Assembly includes 18" (457 mm) armored Cable and two (2) Terminal Housings
7B.	3305577	ETF-1009-A	Solenoid Valve Repair Kit includes Replacement Filter, Guide, Armature Spring, Diaphragm and Washer
7C.	3375003	MCR-1003-A	Diaphragm only
8.	3365000	ETF-450-A	Control Module Assembly includes splashproof Junction Box and Junction Box Mounting Kit
9.	0365534	ETF-233	120V/35VA Plug-In Transformer
10.	0345370	EL-248-40	24V/40VA Box Mount Transformer
11.	0365001	ETF-458-A	Input Power Cable (Transformer to Control Module) includes Strain Relief and two (2) Terminal Crimp Connectors
12.	3365461	ETF-617-A	Bak-Chek® "T" Assembly

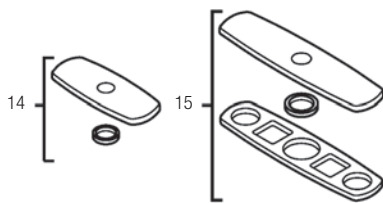
See page 157 for faucet cable extension cords.

— = Not shown in illustration

OLD Optima® ETF-700/ETF-700-S



Optional Trim Plates



PARTS LIST—ETF-700 FAUCET

Item No.	Code No.	Part No.	Description
1A.	0365108	ETF-472-A	Faucet and Sensor Assembly with Standard Gooseneck Spout (ETF-700)
1B.	0365109	ETF-473-A	Faucet and Sensor Assembly with Surgical Bend Gooseneck Spout (ETF-700-S)
1C.	0365456PK	ETF-830-A	(NEW STYLE) Sensor Module Only includes 18" (153 mm) armored Cable, Shroud, and Housing for Sensor Window (ETF-700 and ETF-700-S Faucets)
1C.	0365028	ETF-476-A	(OLD STYLE) (Prior to 1-2009) Sensor Module Only includes 18" (153 mm) armored Cable, Shroud, and Housing for Sensor Window (ETF-700 and ETF-700-S Faucets)
2A.	0365147	ETF-621-A	2.2 gpm (8.3 Lpm) Aerator Spray Head with Key (female thread)
	0365793	ETF-839	0.35 gpm (1.3 Lpm) Multi-Lam Spray Head
2B.	0328134	AC-55-A	Shower Spray Head Assembly, 2.2 gpm (8.3 Lpm)
3.	0305784	ETF-178	Adapter for Spray Heads (not required for AC-55-A Shower Spray Head)
4.	0365110	ETF-503-A	Spout Mounting Kit Includes Rubber Washer, Flat Washer, Lockwasher, Mounting Nut, and Union Compression Fitting
5.	0365057	ETF-530	3/8" x 3/8" Union Compression Fitting (female)
6.	3365676	ETF-437-A	Single Solenoid Supply Kit includes, two (2) Compression Fittings, Compression Nut, and Ferrule
7A.	0305849	ETF-370-A	24 VAC Solenoid Valve Assembly includes 18" (457 mm) Armored Cable and two (2) Terminal Housings
7B.	3305577	ETF-1009-A	Solenoid Valve Repair Kit includes Replacement Filter, Guide, Armature Spring, Diaphragm and Washer
7C.	3375003	MCR-1003-A	Diaphragm only
8.	3365461	ET617-A	Bak-Chek® "T" Assembly
9.	3365000	ETF-450-A	Control Module Assembly includes splashproof Junction Box and Junction Box Mounting Kit
10.	0365534	ETF-233	120V/35VA Plug-In Transformer
11.	0345370	EL-248-40	24V/40VA Box Mount Transformer
12.	0365001	ETF-458-A	Input Power Cable (Transformer to Control Module) includes Strain Relief and two (2) Terminal Crimp Connectors
13.	0305927	ETF-435	Replacement Key Only
14.	3365302	ETF-607-A	Trim Plate for 4" Center-set Sink
15.	3365303	ETF-608-A	Trim Plate for 8" Center-set Sink

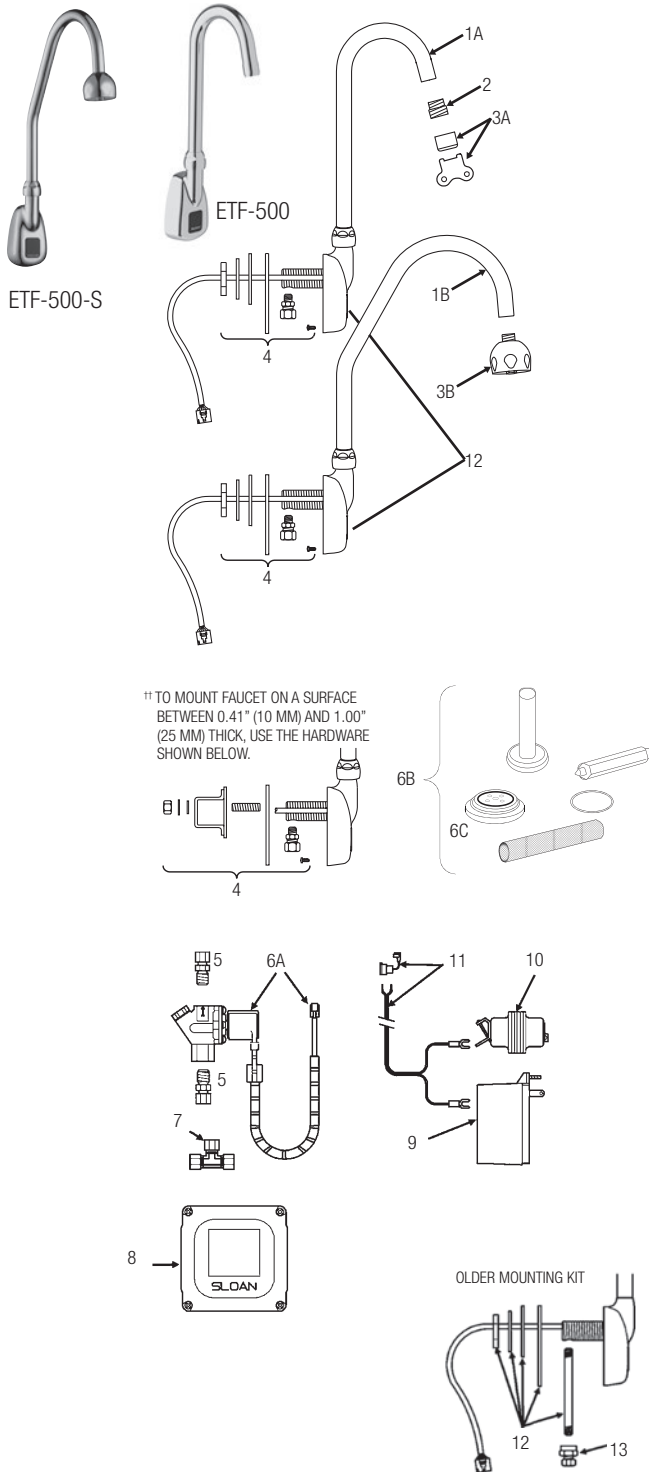
— = Not shown in illustration

FAUCET CABLE EXTENSION CORDS

ETF-80, ETF-500, ETF-600/ETF-610, ETF-660/ETF-770, ETF-700

0365042	ETF-1005-26	Faucet to Control Module Extension Cord; 26 inch (0.7 meter) Length – OBSOLETE
0305861	ETF-1005-36	Faucet to Control Module Extension Cord; 36 inch (0.9 meter) Length
0305862	ETF-1005-72	Faucet to Control Module Extension Cord; 72 inch (1.8 meter) Length – OBSOLETE
0305863	ETF-1005-108	Faucet to Control Module Extension Cord; 108 inch (2.7 meter) Length
0365838	ETF-1003-36	Solenoid to Control Module Extension Cord; 36 inch (0.9 meter) Length
0365053	ETF-1003-48	Solenoid to Control Module Extension Cord; 48 inch (1.2 meter) Length – OBSOLETE
0365839	ETF-1003-72	Solenoid to Control Module Extension Cord; 72 inch (1.8 meter) Length – OBSOLETE
0365840	ETF-1003-108	Solenoid to Control Module Extension Cord; 108 inch (2.7 meter) Length

OLD Optima® ETF-500/ETF-500-S



†† TO MOUNT FAUCET ON A SURFACE BETWEEN 0.41" (10 MM) AND 1.00" (25 MM) THICK, USE THE HARDWARE SHOWN BELOW.

New Base Gasket

The new base gasket (in production since October 1999) is shown at right. An older base gasket design did not have the u-shaped drainage hole.



PARTS LIST—ETF-500 FAUCET

Item No.	Code No.	Part No.	Description
1A.	0365778	ETF-772-A-ST	Faucet/Sensor Assembly with Standard Gooseneck Spout
1B.	0365783	ETF-772-A-SU	Faucet/Sensor Assembly with Surgical Bend Gooseneck Spout
2.	0305784	ETF-178	Aerator Adapter for Spray Heads (not required for AC-55-A Shower Spray Head)
3A.	0365147	ETF-621-A	2.2 gpm (8.3 Lpm) Aerator Spray Head with Key (female thread)
	0365793	ETF-839	0.35 gpm (1.3 Lpm) Multi-Lam Spray Head
	0305927	ETF-435	Replacement Key ONLY
3B.	0328134	AC-55-A	Shower Spray Head Assembly, 2.2 gpm (8.3 Lpm)
4.	0315060	EBF-110-A	Faucet Mounting Kit includes Base Gasket, large Flat Washer, large Lock Washer, large Nut, Mounting Spacer, Mounting Stud, small Flat Washer, small Lock Washer, small Nut, Anti-Rotation Screw, and Compression Fitting Connector (male)
—	0365152	ETF-591	1/8" NPT Pipe to 3/8" Tube Male Compression Fitting Connector
5.	3365676	ETF-437-A	Single Solenoid Supply Kit includes, two (2) Compression Fittings, Compression Nut, and Ferrule
6A.	0305849	ETF-370-A	24 VAC Solenoid Valve Assembly includes 18" (457 mm) armored Cable and two (2) Terminal Housings
6B.	3305577	ETF-1009-A	Solenoid Valve Repair Kit includes Replacement Filter, Guide, Armature Spring, Diaphragm and Washer
6C.	3375003	MCR-1003-A	Diaphragm only
7.	3365461	ETF-617-A	Bak-Chek® "T" Assembly
8.	3365000	ETF-450-A	Control Module Assembly includes splashproof Junction Box and Junction Box Mounting Kit
9.	0365534	ETF-233	120V/35VA Plug-In Transformer
10.	0345370	EL-248-40	24V/40VA Box Mount Transformer
11.	0365001	ETF-458-A	Input Power Cable (Transformer to Control Module) includes Strain Relief and two (2) Terminal Crimp Connectors
12.	0365097	ETF-568-A	Sensor Only

See page 157 for faucet cable extension cords.

— = Not shown in illustration

OLD MOUNTING KIT AND FAUCET SHANK

12.	N/A ††	EBF-110-A	Old Faucet Mounting Kit included 3/8" Water Supply Tube, Base Gasket, large Flat Washer, large Lock Washer, large Nut, and Compression Fitting Connector (order Items 4 and 13 as replacement parts)
13.	0365058 ††	ETF-547	1/8" NPT Pipe to 3/8" Tube Female Compression Fitting Connector

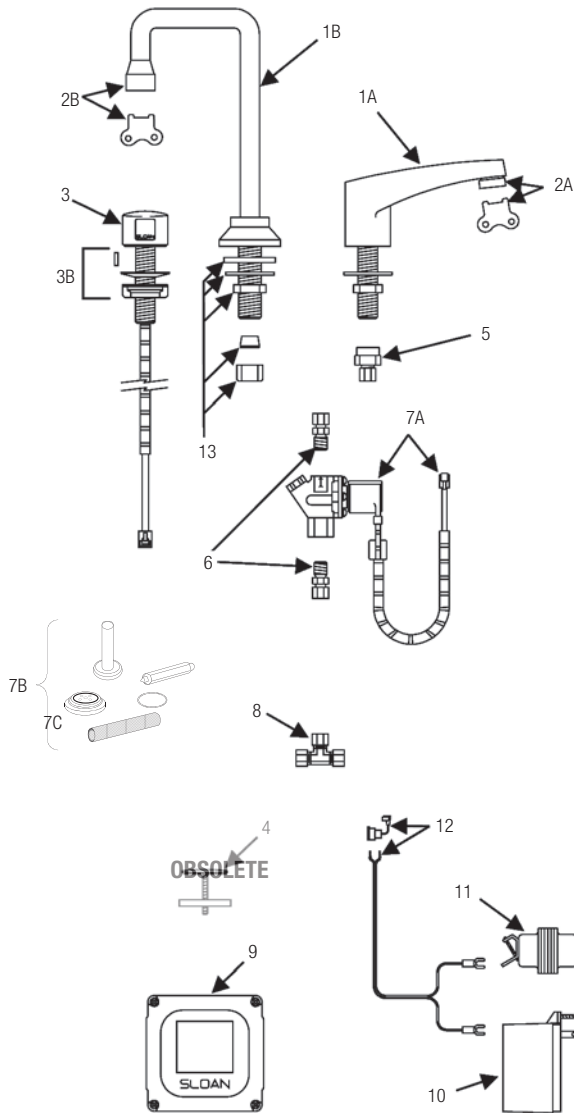
The new mounting kit (in production since June 1999; Item 4 shown at left) includes parts for installation on both thin and thick surfaces, an ETF-591 male compression fitting, and an anti-rotation screw for installation on sheet metal surfaces less than 0.41" (10 mm) thick. For surfaces between 0.41" (10 mm) and 1.00" (25 mm) thick, use the mounting spacer and mounting stud hardware. The faucet sensor cable is threaded through a groove on the side of the shank.

The older mounting kits (Items 12 and 13) can be identified by a copper supply tube attached to the faucet shank, requires an ETF-547 compression fitting, and threads the faucet sensor cable through the interior of the shank.

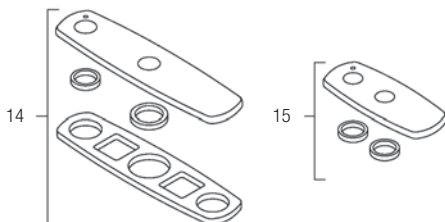
OLD Optima® ETF-660/ETF-770



Old-Style Faucets ETF-66 and ETF-77 faucets manufactured before 1996 used an EL-350-A microphone-style sensor with telephone jack connector and an ETF-214-A control module.



Optional Trim Plates



PARTS LIST—ETF-660 AND ETF-770 FAUCETS

Item No.	Code No.	Part No.	Description
1A.	0365162	ETF-595-A	Lavatory Faucet Assembly (ETF-660)
1B.	0305536	ETF-261-A	Deck-Mounted Gooseneck Faucet Assembly (ETF-770)
2A.	3365092	ETF-1023-A	0.5 gpm (1.9 Lpm) Spray Head with Key (male thread)
	3365093	ETF-1024-A	2.2 gpm (8.3 Lpm) Aerator Spray Head with Key (male thread)
	3365162	ETF-1029-A	2.2 gpm (8.3 Lpm) Laminar Flow Spray Head with Key (male thread)
	0335927	ETF-435	Replacement Key Only for ETF-1023-A Spray Head and ETF-1024-A Aerator Spray Head (NOT required for F-175-L Laminar Flow Spray Head)
	3365756	ETF-1039-A	0.35 gpm (1.3 Lpm) Multi-Lam Spray Head VR
2B.	3365091	ETF-1021-A	0.5 gpm (1.9 Lpm) Spray Head with Key (female thread)
	3365090	ETF-1022-A	2.2 gpm (8.3 Lpm) Aerator Spray Head with Key (female thread)
	3365160	ETF-1027-A	2.2 gpm (8.3 Lpm) Laminar Flow Spray Head with Key (female thread)
	0305927	ETF-435	Replacement Key Only
	3365755	ETF-1038-A	0.35 gpm (1.3 Lpm) Multi-Lam Spray Head VR
3.	0305946	EL-3500-A	Microphone-style "On-Q" Sensor Assembly includes O-ring, 18" armored Cable, Microphone Sensor Cap, Locking Pin, Microphone Sensor Body, and Emitter/Detector Shroud
3B.	0305528	EL-289	Microphone Mounting Kit
4.	0365524	ETF-199	Cock Hole Cover — OBSOLETE
5.	0305513	ETF-271	3/8" Tube Fitting Connector (female)
6.	3365676	ETF-437-A	Single Solenoid Supply Kit includes, two (2) Compression Fittings, Compression Nut, and Ferrule
7A.	0305849	ETF-370-A	24 VAC Solenoid Valve Assembly includes 18" (457 mm) armored Cable and two (2) Terminal Housings
7B.	3305577	ETF-1009-A	Solenoid Valve Repair Kit includes Replacement Filter, Guide, Armature Spring, Diaphragm and Washer
7C.	3375003	MCR-1003-A	Diaphragm only
8.	3365461	ETF-617-A	Bak-Chek® "T" Assembly
9.	3365000	ETF-450-A	Control Module Assembly includes splashproof Junction Box and Junction Box Mounting Kit
10.	0365534	ETF-233	120V/35 VA Plug-In Transformer
11.	0345370	EL-248-40	24V/40 VA Box Mount Transformer
12.	0365001	ETF-458-A	Input Power Cable (Transformer to Control Module) includes Strain Relief and two (2) Terminal Crimp Connectors
13.	0305768	EL-310-A	Spout Mounting Kit (ETF-770 Only) Includes Rubber Washer, Steel Washer, Lock Nut, Rubber Cone Washer, and Coupling Nut
14.	3365602	ETF-432-A	Optional 8" (203 mm) Centerset Trim Plate Kit, includes Seal, Washer Fender, Gasket, Finger Nut, Trim Plate Spacer and Dual Hole Trim Plate Assembly
15.	3365469	ETF-313-A	Optional 4" (102 mm) Centerset Trim Plate Kit includes Trim Plate Spacer and Dual Hole Trim Plate Assembly

See page 157 for faucet cable extension cords.

— = Not shown in illustration

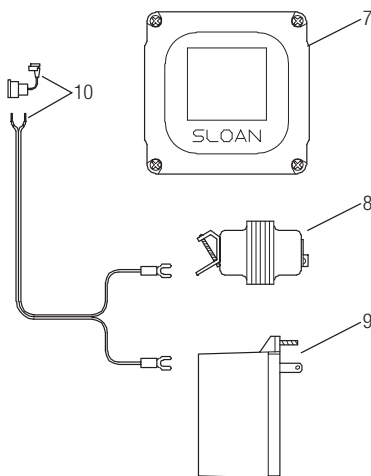
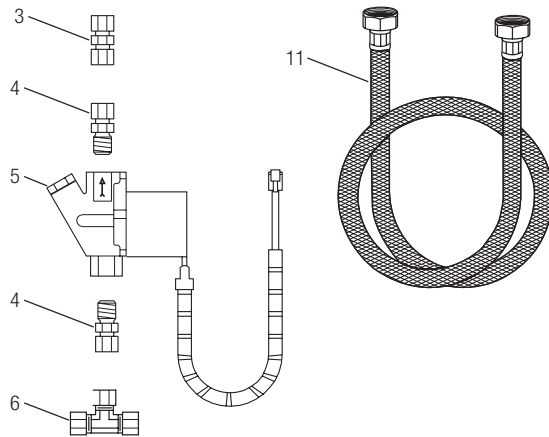
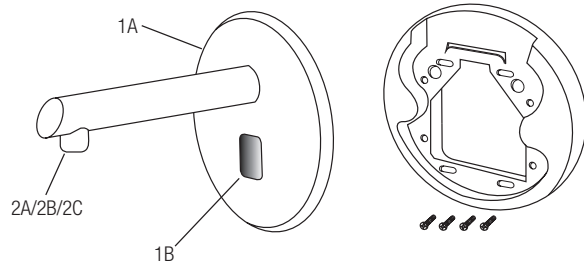
NOTE: For older style ETF-66/77 faucets the replacement EL-350 is discontinued. Replacement is ETF-1019-A includes EL-3500-A and ETF-450-A.

NOTE: For the replacement control module when the older style 3 phone jack module is used, use ETF-492-A.

OLD Optima® ETF-800



ETF-800



PARTS LIST—ETF-800 FAUCET

Item No.	Code No.	Part No.	Description
1A.	0365797	ETF-797-A	Faucet Spout and Sensor Assembly
1B.	0365097	ETF-568-A	Sensor Assembly only
2A.	0365378	ETF-687	1.5 gpm/5.7 Lpm Laminar Flow Spray Head
2B.	3365757	ETF-1040-A	0.35 gpm/1.3 Lpm Multi-Lam Spray Head
2C.	0365147	ETF-621	2.2 laminar Flow Spray Head
3.†	0365057	ETF-530	Compression Fitting
4.†	0305459	ETF-61	Compression Fittings (2)
5.	0305849PK	ETF-370-A	24 VAC Solenoid Valve Assembly; Includes Wire Harness
—	3305577	ETF-1009-A	Solenoid Valve Repair Kit, Includes Replacement Filter
6.	3365461	ETF-617-A	3/8" Bak-Chek® Tee Compression Fitting
7.	3365000	ETF-450-A	Control Module Assembly
8.	0345370	EL-248-40	Box Mount Transformer
9.	0365534	ETF-233	Plug-In Transformer
10.	0365001	ETF-458-A	Power Cable with Strain Relief and Crimp Connectors (Transformer to Control Module)
11.	3326091	MIX-19	Flex Hose

† ETF-798-A Compression Fitting Kit, includes (1) ETF-530, (2) ETF-61 Compression Fittings and (4) Mounting Plate Screws

If further assistance is required, please contact the Sloan Valve Company Installation Engineering Department at 1-888-SLOAN-14 (1-888-756-2614).

NOTICE: The information contained in this document is subject to change without notice.