

**Aquia® IV WASHLET®+ S7A  
One-Piece Toilet - 1.28 GPF / 0.9 GPF**

**FEATURES**

- Concealed supply connection for seamless installation
- DYNAMAX TORNADO FLUSH® utilizes 360° cleaning power to reach every part of the bowl
- Ultra high-efficiency dual flush 1.28 GPF / 0.9 GPF (4.8 LPF / 3.4 LPF)
- CEFIONTECT® ceramic glaze minimizes waste from sticking to porous ceramic surfaces
- Completely skirted design for a sleek and understated look that's easier to clean
- Universal Height
- Chrome plated trip lever
- 12" Rough-in
- Elongated front bowl toilet and WASHLET+ S7A set
- EWATER+® auto-cleans wand and bowl after every use
- PREMIST® automatically mists the bowl before each use
- Multifunction pearl white block-style remote control
- Auto open/close lid
- Night light
- Auto flush available as upgrade



**MODELS**

- **MW6464736CEMFGNA (#01)**  
With CEFIONTECT ceramic glaze, WASHLET+ S7A with contemporary design and Auto Flush
  - **CST646CEMFGNAT40**  
Elongated bowl with CEFIONTECT
  - **SW4736AT40**  
WASHLET+ S7A
  - **THU855**  
Auto Flush Kit
- **MW6464736CEMFGN (#01)**  
Same as MW6464736CEMFGNA without Auto Flush

**OPTIONAL COMPONENTS**

- **TSU48.10**  
10" Unifit Rough-In
- **TSU48.14**  
14" Unifit Rough-In
- **THU848(#01, #BN, #PN)-A**  
Push Button Assembly (Cotton, Brushed Nickel, Polished Nickel)

**COLORS/FINISHES**

- #01 Cotton

- TORNADO FLUSH**
- EWATER+**
- CEFIONTECT**
- Auto Flush**
- UNIVERSAL HEIGHT**

**PRODUCT SPECIFICATION**

The one-piece, ultra high-efficiency, DYNAMAX TORNADO FLUSH toilet shall be dual flush 1.28 GPF / 0.9 GPF. Toilet shall be coated with CEFIONTECT, elongated front bowl, high profile tank, UNIVERSAL HEIGHT, complete skirted bowl and chrome push-button. Toilet shall be TOTO Model MW6464736CEMFGN\_#01.

**See SW4736AT40 Specification Sheet for details on included WASHLET.**

**CODES/STANDARDS**

- Meets and exceeds ASME A112.19.2/CSA B45.1, ASME A112.19.14
- Certifications: IAPMO (cUPC®), EPA WaterSense®, State of Massachusetts, City of Los Angeles, and others
- Code compliance: UPC, IPC, NSPC, NPC Canada, and others
- Legislative Compliance: California AB715, California Green Building Code, City of Los Angeles Water Efficiency Ordinance, and others
- ADA compliant for residential use with autoflush feature model
- Complies with CA Prop 65 warning requirements



# MW6464736CEMFGN(A)

## Aquia® IV WASHLET®+ S7A One-Piece Toilet - 1.28 GPF / 0.9 GPF

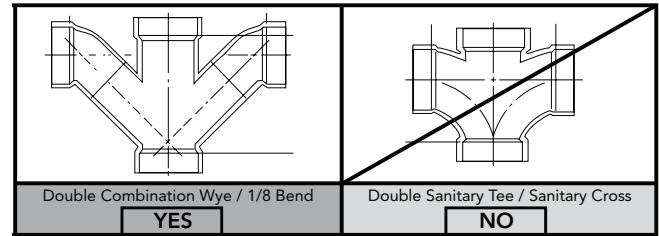
### SPECIFICATIONS

<b>Water Use</b>	1.28 GPF / 0.9 GPF (4.8 LPF / 3.4 LPF)
<b>Flush System</b>	DYNAMAX TORNADO FLUSH®
<b>Min. Water Pressure</b>	8 psi (Flowing)
<b>Water Surface</b>	7" x 5"
<b>Trap Diameter</b>	2-1/4"
<b>Rough-in</b>	12" (10" and 14" options available)
<b>Trap Seal</b>	2-1/8"
<b>Warranty</b>	One Year Limited Warranty
<b>Material</b>	Vitreous China
<b>Shipping Weight</b>	CST646CEMFGNAT40: 112 lbs SW4736AT40: 15 lbs
<b>Shipping Dimensions</b>	CST646CEMFGNAT40 29-1/2" L x 17-5/8" W x 28-1/8" H SW4736AT40 23-3/8" L x 17-5/8" W x 6-1/4" H

See SW4736AT40 Specification Sheet for details on included WASHLET.

### INSTALLATION NOTES

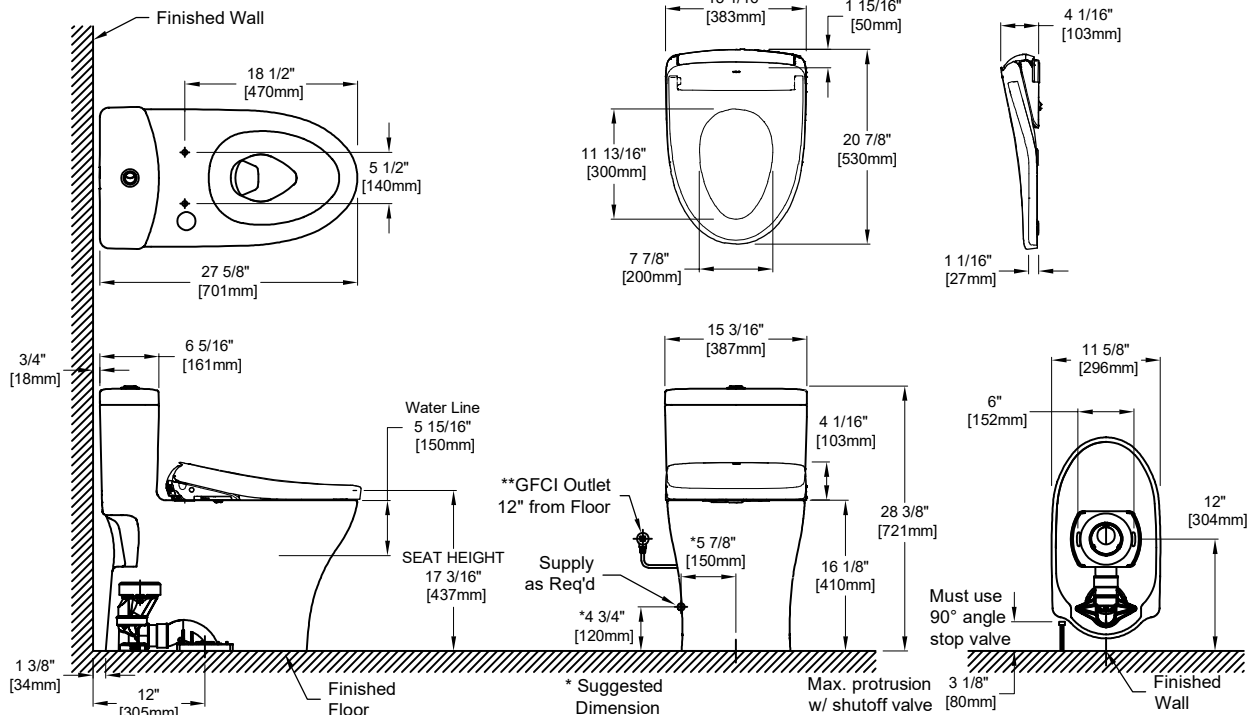
Back-to-Back Toilet Installations:  
TOTO recommends the use of a nationally listed, double sanitary tee-wye only, in vertical waste stacks, in accordance with the stipulations noted in the majority of nationally recognized plumbing codes.



To maintain adequate wall gap between the back of the tank and wall, mount the floor flange at a nominal 12" rough-in distance.

### DIMENSIONS

\*\*GFCI outlet of 120V, 15A  
Washlet power cord is 4' long with 3 prongs.



These dimensions and specifications are subject to change without notice