

Carlyle® II 1G® WASHLET®+ S7A One-Piece Toilet - 1.0 GPF

FEATURES

- Concealed supply connection for seamless installation
- Ultra high-efficiency TORNADO FLUSH® system - 1.0 GPF (3.8 LPF)
- CEFIONTECT® ceramic glaze minimizes waste from sticking to porous ceramic surfaces
- Decorative one-piece with skirted design
- Universal Height
- Chrome plated trip lever
- 12" Rough-in
- Elongated front bowl and WASHLET+ S7A and tank set
- EWATER+® auto-cleans wand and bowl after every use
- PREMIST® automatically mists the bowl before each use
- Multifunction pearl white block-style remote control
- Auto open/close lid
- Night light
- Auto flush available as upgrade



MODELS

- **MW6144736CUFGA (#01)**
With CEFIONTECT ceramic glaze, WASHLET+ S7A with contemporary design and Auto Flush
 - **CST614CUFGAT40**
Elongated toilet with CEFIONTECT
 - **SW4736AT40**
WASHLET+ S7A
 - **THU856**
Auto Flush kit
- **MW6144736CUFG (#01)**
Same as MW6144736CUFGA without Auto Flush

OPTIONAL COMPONENTS

- **TSU01W.10R**
10" Unifit Rough-In
- **TSU01W.14R**
14" Unifit Rough-In

COLORS/FINISHES

- #01 Cotton

- 1G** One Gallon Per Flush
- U** UNIVERSAL HEIGHT
- TORNADO FLUSH**
- EWATER+**
- CEFIONTECT**
- Auto Flush**

PRODUCT SPECIFICATION

The one-piece ultra high-efficiency TORNADO FLUSH toilet shall be 1.0 GPF (3.8 LPF). Universal Height Toilet with CEFIONTECT glaze finish. Toilet shall have high-profile tank, elongated front bowl and chrome trip lever. Toilet shall be TOTO Model MW6144736CUFG__#01.

See **SW4736AT40 Specification Sheet** for details on included WASHLET.

CODES/STANDARDS

- Meets and exceeds ASME A112.19.2/CSA B45.1
- Certifications: IAPMO (cUPC®), EPA WaterSense®, State of Massachusetts, City of Los Angeles, and others
- Code compliance: UPC, IPC, NSPC, NPC Canada, and others
- Legislative Compliance: California AB715, California Green Building Code, City of Los Angeles Water Efficiency Ordinance, and others
- ADA compliant for residential use with autoflush feature model, or with trip lever located on the approach side
- Complies with CA Prop 65 warning requirements



MW6144736CUFG(A)

Carlyle® II 1G® WASHLET®+ S7A One-Piece Toilet - 1.0 GPF

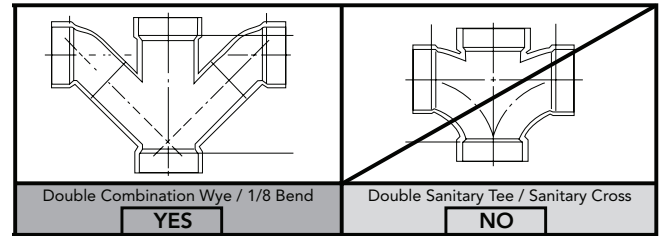
SPECIFICATIONS

Water Use	1.0 GPF (3.8 LPF)
Flush System	TORNADO FLUSH®
Min. Water Pressure	8 psi (Flowing)
Water Surface	6-7/8" x 9-3/4"
Trap Diameter	2-1/8"
Rough-in	12" (10" and 14" options available)
Trap Seal	2-1/8"
Warranty	One Year Limited Warranty
Material	Vitreous China
Shipping Weight	CST614CUFGAT40: 106 lbs SW4736AT40: 15 lbs
Shipping Dimensions	CST614CUFGAT40 30" L x 18-1/4" W x 28-1/4" H ¹ x 20-3/4" H ² SW4736AT40 23-3/8" L x 17-5/8" W x 6-1/4" H

See SW4736AT40 Specification Sheet for details on included WASHLET.

INSTALLATION NOTES

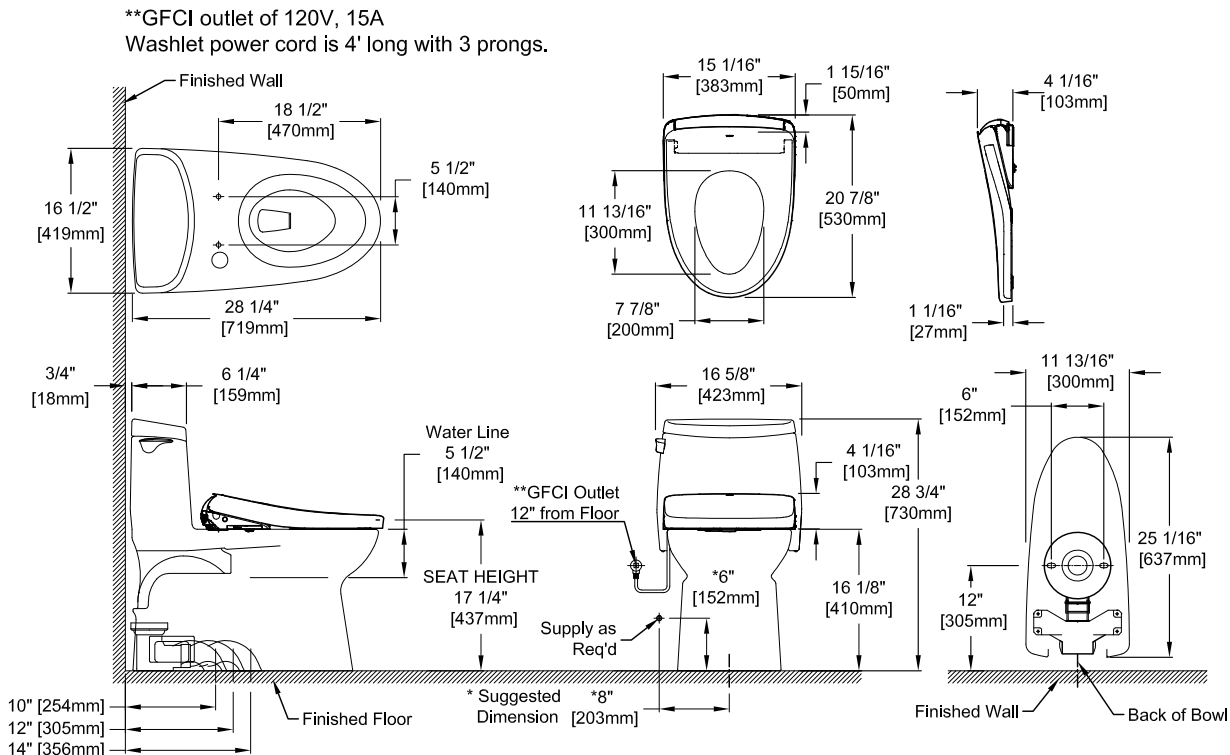
Back-to-Back Toilet Installations:
TOTO recommends the use of a nationally listed, double sanitary tee-wye only, in vertical waste stacks, in accordance with the stipulations noted in the majority of nationally recognized plumbing codes.



To maintain adequate wall gap between the back of the tank and wall, mount the floor flange at a nominal 12" rough-in distance.

Ultra-low high efficiency toilets require a system with adequate supplemental flows from other water usage fixtures and a 4" ID drainline with minimum 2% slope and maximum linear runs of 60ft.

DIMENSIONS



These dimensions and specifications are subject to change without notice