

# MOEN®

## ILLUSTRATED PARTS

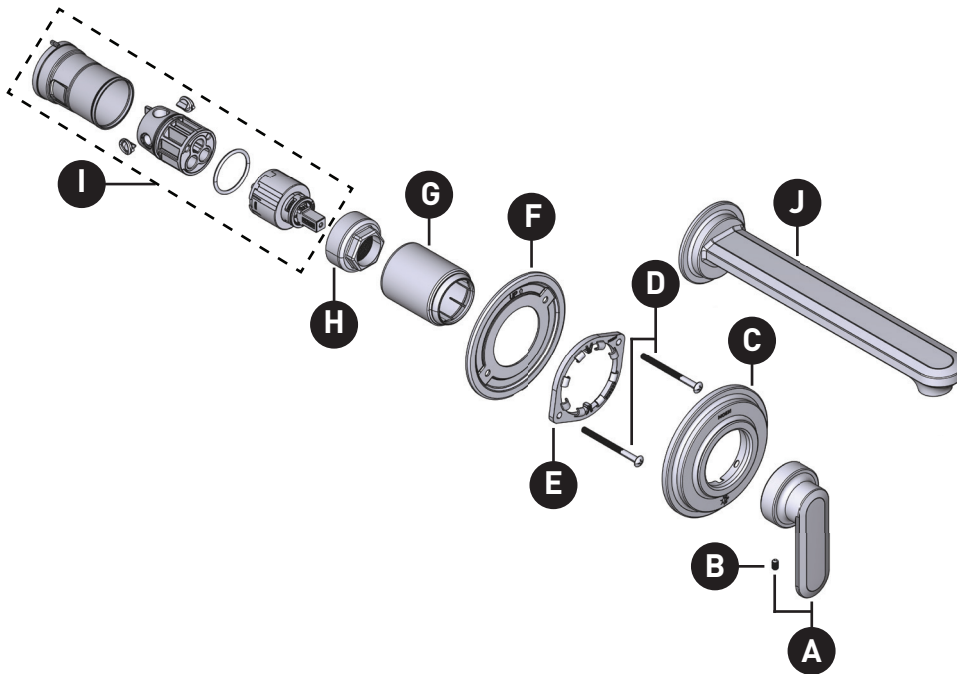
### GREENFIELD™

One-Handle Wallmount Tub Filler Trim

**MODELS:** WT621 Series

**ORDER BY PART NUMBER**

\*Trim can be used with WMV130series



ID	Kit Number	Finish
*A	215537	N/A
B	40057 (Requires 3/32" Hex Key)	N/A
*C	215545	See Below
D	200764 (x2)	N/A
E	210568	N/A
F	210565	N/A
*G	200775	See below
H	210563	N/A
I	1215	N/A
*J	TF4326 (Slip Fit)	See below
*K	210492	See below

<u>*Finish Determined by Suffix</u>	
<u>Finish</u>	<u>Description</u>
C	Chrome
BN	Brushed Nickel
BG	Brushed Gold
BL	Matte Black

