

Sloan Manual Flush Valves

Royal & Regal Manually Operated Flush Valves for Toilets and Urinals

Model 110 Toilet Flush Valves

Select from 3.5, 1.6 & 1.28 gallons per flush models

- 1 1/2" vacuum breaker tail-piece;
- 1" pipe supply line.

Model 186 Urinal Flush Valves

Select from 1.5, 1.0, 0.5, 0.25 and 0.125 gpf models;

- 1 1/4" or 3/4" vacuum breaker tail-piece;
- 1" pipe supply line.

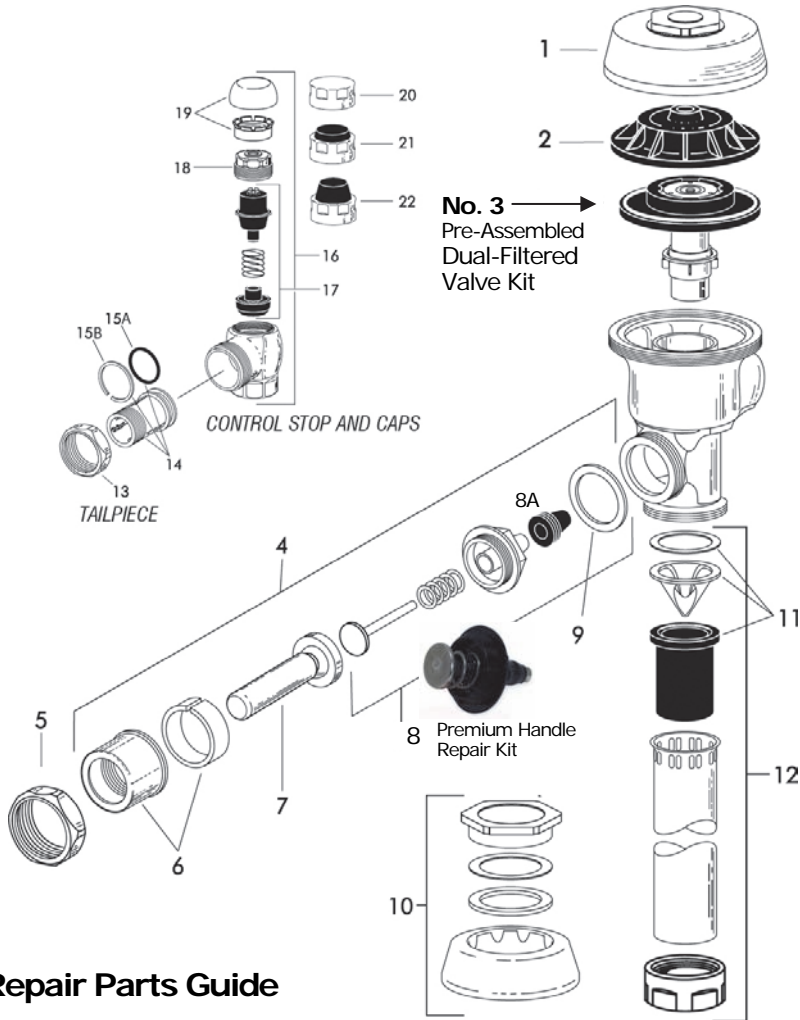
Premium Royal vs. Regal XL Models

The Royal models are premium flush valves: Dual-filtered bypass flush diaphragms and free-spinning vandal-resistant stop valve supply covers. The Royal models also have a High back pressure Permex vacuum breaker flush connection. Other premium components throughout the Royal models means less repair!

Toilet Flush Valve Description	Order No.
ROYAL Toilet Flush Valves — Institutional Quality	
Royal 110 , Centerline of supply 11.5" above fixture, 3.5 gallons per flush	SN1005
Royal 111 , same as 110 but for low consumption 1.6 gallons per flush toilets	SN1005A
Royal 111-1.28 , same as 110 but for high efficiency 1.28 gallons per flush toilets	SN1005B
Royal 113 , Centerline of supply 16" above fixture, 3.5 gallons per flush	SN1006
Royal 113-1.6 , same as 113, but 1.6 gallons per flush for low consumption toilet	SN1006D
Royal 115 , Centerline of supply 24" above fixture, 3.5 gallons per flush	SN1007
Royal 115-1.6 , same as 115, but 1.6 gallons per flush for low consumption toilet	SN1007A
REGAL XL Toilet Flush Valves, Good Quality & Value!	
Regal 110XL , Centerline of supply 11.5" above fixture, 3.5 gallons per flush	SN1004
Regal 111XL , same as Sloan 110 but for low consumption 1.6 gallons per flush toilets	SN1005C
Regal 111-1.28XL , same as Sloan 110 but for high efficiency 1.28 gallons per flush toilets	SN1005D
Regal 113XL , Centerline of supply 16" above fixture, 3.5 gallons per flush	SN1006G
Regal 113-1.6XL , same as Sloan 113, 1.6 gallons per flush for low consumption toilet	SN1006H
Regal 115XL , Centerline of supply 24" above fixture, 3.5 gallons per flush	SN1007C
Regal 115-1.6 , same as Sloan 115, but 1.6 gallons per flush for low consumption toilet	SN1007D

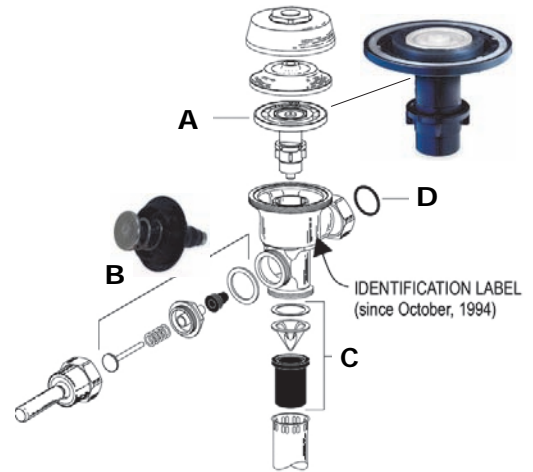
Urinal Flush Valve Description	Order No.
ROYAL Urinal Flush Valves — Institutional Quality	
Royal 180 , Centerline 11.5" above fixture, 3.0 gallons per flush, 1 1/4" top mounted urinals	SN1008
Royal 180-1.5 , same as 180 but 1.5 gallons per flush, for 1 1/4" top mounted urinals	SN1008A
Royal 180-1.0 , same as 180 but 1.0 gallons per flush, for 1 1/4" top mounted urinals	SN1008B
Royal 186 , Centerline 11.5" above fixture, 1.5 gallons per flush, 3/4" top mounted urinals	SN1010
Royal 186-1.0 , same as 186 but 1.0 gallons per flush, for 3/4" top mounted urinals	SN1010A
Royal 186-0.5 , same as 186, but 0.5 gallons per flush for 3/4" top mounted urinals	SN1010B
Royal 186-0.25 , same as 186, but 0.25 gallons per flush for 3/4" top mounted urinals	SN1010C
Royal 186-0.125 , same as 186, but 0.125 gallons per flush for 3/4" top mounted urinals	SN1010F
REGAL XL Urinal Flush Valves, Good Quality & Value!	
Regal 180XL , centerline 11.5" above fixture, 3.5 gallons/flush, 1 1/4" top mounted urinals	SN1008J
Regal 180-1.5XL , same as Sloan 180 but 1.5 gallons per flush, for 1 1/4" top mounted urinals	SN1008K
Regal 180-1.0XL , same as Sloan 180 but 1.0 gallons per flush, for 1 1/4" top mounted urinals	SN1008L
Regal 186XL , centerline 11.5" above fixture, 1.5 gallons/flush, 3/4" top mounted urinals	SN1010D
Regal 186-1.0XL , same as Sloan 186 but 1.0 gallons per flush, for 3/4" top mounted urinals	SN1010E
Regal 186-0.5XL , same as Sloan 186 but 0.5 gallons per flush, for 3/4" top mounted urinals	SN1010F

Sloan Royal "Premium Quality" Flush Valve Parts



Complete Royal Valve Repair Kits

The Sloan "Premium Performance" complete flush valve repair kit includes [A] Dual-Filtered Valve Kit, [B] Triple-Seal handle repair kit, [C] High back pressure vacuum repair kit and the [D] O-ring for the control stop tailpiece. Select desired gallon-per-flush kits.



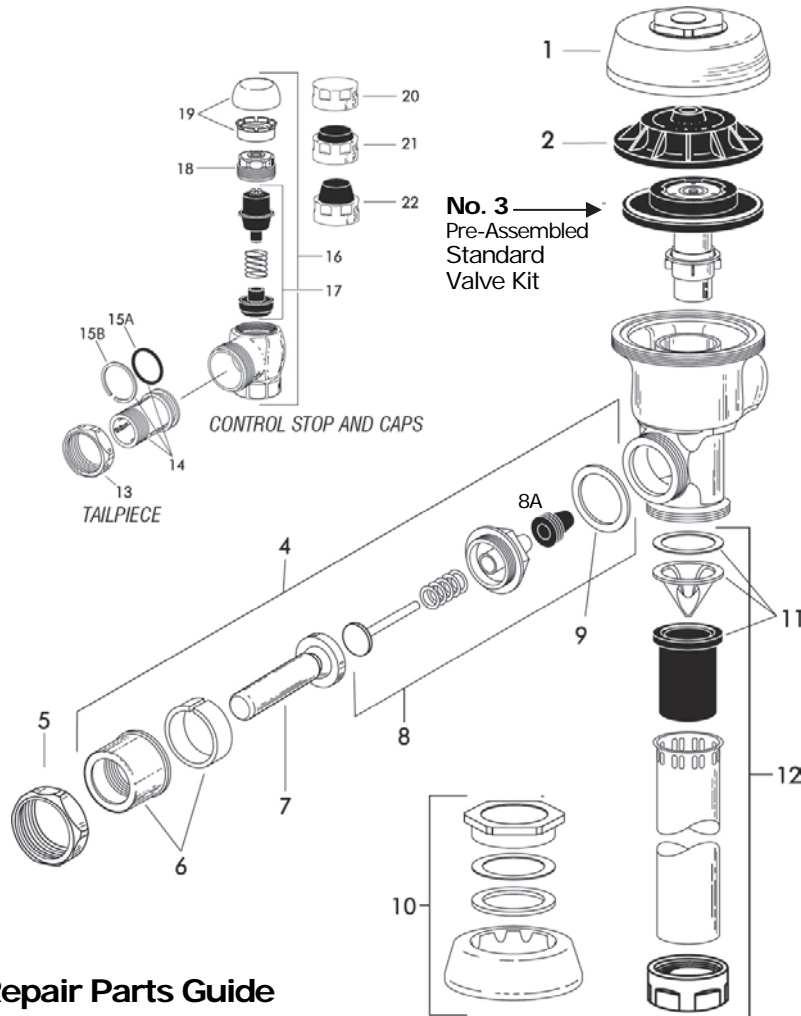
Description	Order No.
For Toilets	
A-1101-A Performance kit, 1.6 GPF	SO1077
A-1102-A Performance kit, 3.5 GPF	SO1077A
For Urinals	
A-1106-A Performance kit, 0.5 GPF	SO1078
A-1107-A Performance kit, 1.0 GPF	SO1078A
A-1108-A Performance kit, 1.5 GPF	SO1078B

Repair Parts Guide

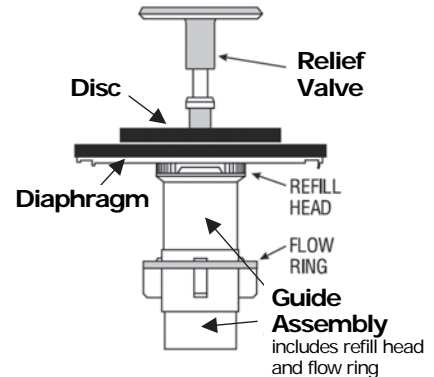
Item	Description	Order No.
1	A-72-CP, Chrome plated outside cover	SO1060
2	A-71, Inside plastic cover	SO1055
Dual-Filtered Valve Kits (Item 3):		
3	A-1041-A Kit allows 1.6 gallons per flush	SO1076B
	A-1038-A Kit allows 3.5 gallons per flush	SO1076A
	A-1045-A Kit allows 1.28 GPF, high efficient toilets	SO1076F
	A-1043-A Kit allows 0.5 gallons per flush	SO1076D
	A-1047-A Kit allows 0.25 GPF, high efficient urinals	SO1076G
	A-1042-A Kit allows 1.0 gallons per flush	SO1076C
	A-1037-A Kit allows 1.5 gallons per flush	SO1076
4	B-73-A, "Triple Seal" handle assembly	SO1109
5	A-6, Chrome plated handle coupling	SO1010
6	B-7-A, Chrome plated socket assembly	SO1080
7	B-74-A, Chrome plated handle grip only	SO1109A
8	B-51-A, "Triple Seal" handle repair kit	SO1106
8A	B-39, Handle seal only	SO1095
9	A-31, Handle gasket	SO1030
10	F-5-A, 3/4" Chrome plated spud coupling assembly	SO1195
	F-5-A, 1 1/4" Chrome plated spud coupling assembly	SO1200
	F-5-A, 1 1/2" Chrome plated spud coupling assembly	SO1205
11	V-651-A, High back pressure vacuum breaker kit	SO1386
12	V-600-AA, 3/4" x 9" vacuum breaker, 9" tailpiece	SO1361
	V-600-AA, 1 1/4" x 9" vacuum breaker, 9" tailpiece	SO1372
	V-600-AA, 1 1/2" x 9" vacuum breaker, 9" tailpiece	SO1386

Item	Description	Order No.
13	H-550, Chrome plated stop coupling	SO1237
14	H-551-A, Chrome plated adjustable tailpiece, 2-1/16" long	SO1240
15A	H-553, O-Ring	SO1260
15B	H-552, Locking Ring	SO1253
16	H-700-A, Chrome plated 1" control stop	SO1280
	H-700-A, Chrome plated 3/4" control stop	SO1275
17	H-541-A, Control stop repair kit for H-700-A 1" and 3/4", also for the H-600-A 1" control stops	SO1250
	H-543-A, Control stop repair kit, used with the H-600-A 3/4" control stops	SO1235
18	H-622, Chrome plated bonnet for the H-700-A 1" & 3/4", and the H-600-A 1" control stops	SO1274
	H-577, Chrome plated bonnet, used with the H-600-A 3/4" control stops	SO1272
19	H-1010-A, <u>Vandal resistant</u> control stop cap, for H-700-A 1" & 3/4", the H-600-A 1" control stops	SO1258
	H-1009-A, <u>Vandal resistant</u> control stop caps, used with the H-600-A 3/4" control stops	SO1257
20	H-573, Control stop cap, standard, for the H-700-A 1" & 3/4", and H-600-A 1" control stops	SO1270
	H-582, Control stop cap, standard, used with the H-600-A 3/4" control stops	SO1265
21	H-574, Control stop cap with bumper	SO1262
22	H-576, Control stop cap with extended bumper	SO1263

Sloan Royal & Regal "Standard" Flush Valve Parts



Individual Sloan Standard Flush Valve Repair Parts



Valve Kits (No. 3) include all the items above pre-assembled for fast installation & complete valve repair.

Individual Valve Repair Parts	Order No.
Relief Valve for standard toilet. A-19-AC	SO1020
Relief Valve for standard urinal. A-19-AU	SO1025
Relief Valve for low-consumption toilet and urinal valves with "LC" stamped on outside cover. A-19-ALCM	SO1026
Disc on top of diaphragm. A-15-A	SO1015
Diaphragm only, Single-Filtered, A-156-A	SO1065
Diaphragm Kit, includes diaphragm, disc, handle seal and handle gasket. A-156-AA	SO1070
Guide Assembly, A-163-A	SO1075

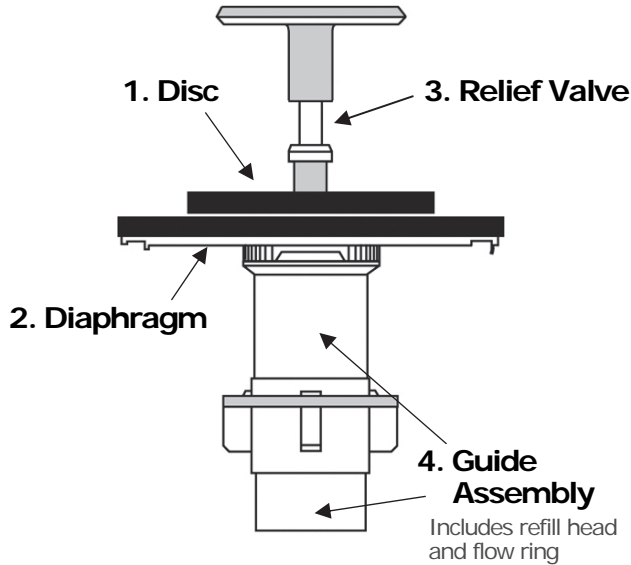
Repair Parts Guide

Item	Description	Order No.
1	A-72-CP, Chrome plated outside cover	SO1060
2	A-71, Inside plastic cover	SO1055
Standard Valve Kits (Item 3):		
3	A-36-A , Kit allows 4.5 gallons per flush, toilet	SO1040
	A-37-A , Kit allows 1.5 gallons per flush, urinal	SO1045
	A-38-A , Kit allows 3.5 gallons per flush, toilet	SO1050
	A-41-A , Kit allows 1.6 gallons per flush, toilet	SO1052
	A-42-A , Kit allows 1.0 gallons per flush, urinal	SO1053
	A-43-A , Kit allows 0.5 gallons per flush, urinal	SO1053A
	A-47-A , Kit allows 1.28 GPF, high efficient toilet	SO1053C
4	B-73-A, "ADA" approved handle assembly	SO1109
5	A-6, Chrome plated handle coupling	SO1010
6	B-7-A, Chrome plated socket assembly	SO1080
7	B-32, Chrome plated handle grip only	SO1085
8	B-50-A, Handle repair kit	SO1105
8A	B-39, Handle seal only	SO1095
9	A-31, Handle gasket	SO1030
10	F-5-A, 3/4" Chrome plated spud coupling assembly	SO1195
	F-5-A, 1 1/4" Chrome plated spud coupling assembly	SO1200
	F-5-A, 1 1/2" Chrome plated spud coupling assembly	SO1205
11	V-551-A, vacuum breaker repair kit	SO1385
12	V-500-AA, 3/4" x 9" vacuum breaker, 9" tailpiece	SO1360
	V-500-AA, 1 1/4" x 9" vacuum breaker, 9" tailpiece	SO1370
	V-500-AA, 1 1/2" x 9" vacuum breaker, 9" tailpiece	SO1375

Item	Description	Order No.
13	H-550, Chrome plated stop coupling	SO1237
14	H-551-A, Chrome plated adjustable tailpiece, 2-1/16" long	SO1240
15A	H-553, O-Ring	SO1260
15B	H-552, Locking Ring	SO1253
16	H-700-A, Chrome plated 1" control stop	SO1280
	H-700-A, Chrome plated 3/4" control stop	SO1275
17	H-541-A, Control stop repair kit for H-700-A 1" and 3/4", also for the H-600-A 1" control stops	SO1250
	H-543-A, Control stop repair kit, used with the H-600-A 3/4" control stops	SO1235
18	H-622, Chrome plated bonnet for the H-700-A 1" & 3/4", and the H-600-A 1" control stops	SO1274
	H-577, Chrome plated bonnet, used with the H-600-A 3/4" control stops	SO1272
19	H-1010-A, <u>Vandal resistant</u> control stop cap, for H-700-A 1" & 3/4", the H-600-A 1" control stops	SO1258
	H-1009-A, <u>Vandal resistant</u> control stop caps, used with the H-600-A 3/4" control stops	SO1257
20	H-573, Control stop cap, standard, for the H-700-A 1" & 3/4", and H-600-A 1" control stops	SO1270
	H-582, Control stop cap, standard, used with the H-600-A 3/4" control stops	SO1265
21	H-574, Control stop cap with bumper	SO1262
22	H-576, Control stop cap with extended bumper	SO1263

Individual Parts for Sloan Manual Flush Valves

Valve Head Repair Parts



1. Valve Disc Only

Description	Order No.
A-15-A Disc, goes on top of diaphragm	SO1015

2. Diaphragms & Kit

Description	Order No.
A-156-A, Standard diaphragm only for "Royal" & "Regal" manual flush valves.	SO1065
A-156-AA Kit, Standard diaphragm plus the A-15-A disc and B-39 handle seal for "Royal" and "Regal" manually operated flush valves.	SO1070

3. Relief Valves



Description	Order No.
A-19-AC, Relief valve for standard toilet flush valves	SO1020
A-19-AU, Relief valve for standard urinal flush valves	SO1025
A-19-ALC, Relief valve for low consumption urinal & toilet flush valves marked "LC" on valve cover	SO1026

4. Guide Assemblies



Description	Order No.
A-163-A Guide Assembly for Toilets & Urinals	SO1075

Replacement Handle Parts

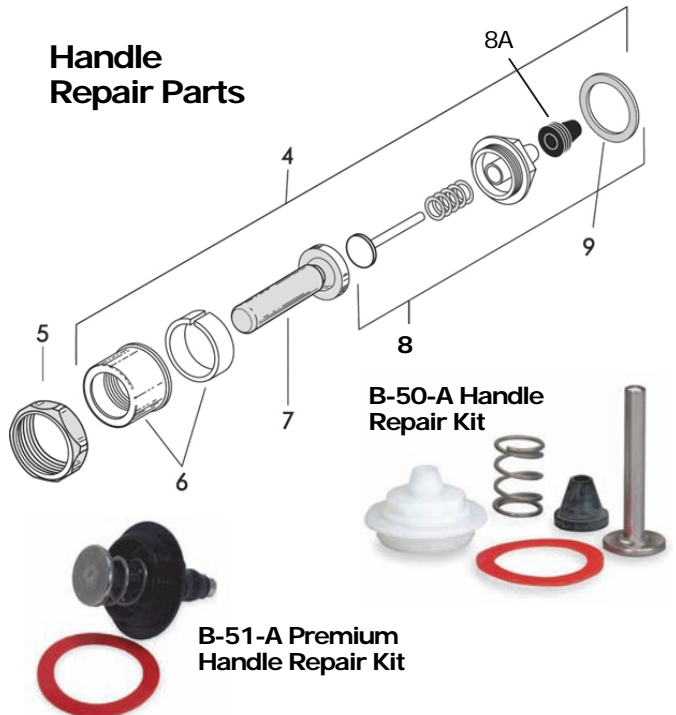
Handle repair parts diagram below

Item No.	Description	Order No.
4	Standard length chrome plated handle assembly, Sloan No. B-32-A	SO1090
	ADA approved longer chrome plated handle assembly, Sloan No. B-73-A	SO1109
5	Handle coupling, chrome plated Sloan No. A-6	SO1010
6	Socket assembly, chrome plated Sloan No. B-7-A	SO1080
7	Standard length handle <u>grip</u> only, chrome plated, Sloan No. B-32	SO1085
	ADA approved longer handle <u>grip</u> only, chrome plated, Sloan No. B-74-A	SO1109A
8A	Item 8A, Standard handle seal can be used on all Sloan flush valves, Sloan No. B-39	SO1095
9	Handle gasket, A-31	SO1030

Handle Repair Kits

Item No.	Description (See below diagram)	Order No.
8	B-50-A, Standard handle repair kit used on all Sloan manually operated flush valves	SO1105
	B-51-A, Premium handle repair kit with "Triple Seal" handle seal. Especially made for the "Royal" model of manually operated flush valves, but for use on all models: Last longer than the standard handle repair kit.	SO1106

Handle Repair Parts



More Repair Parts for Sloan Flush Valves

Vacuum Breaker Assemblies

The "standard" **V-500 vacuum breaker assemblies** were provided with all Sloan "Royal" and "Regal" flush valves up to 1998. In January of 1998 Sloan began providing the high performance premium V-600 vacuum breaker assemblies on their "Royal" flush valves, while keeping the standard V-500 vacuum breaker on the more economically priced "Regal" model of flush valve.

V-600 vacuum breaker assemblies utilize vacuum breakers made from "Permax." This material better handles chlorine and ammonia, along with the higher back pressure from low consumption fixtures.

**V-500-A
V-600-A**



**V-500-AA
V-600-AA**



Description	Order No.
Standard VB Assemblies	
V-500-A, Vacuum breaker assembly <i>less tailpiece</i>	SO1355
V-500-AA, Vacuum breaker with 3/4" x 9" tailpiece	SO1360
V-500-AA, Vacuum breaker with 3/4" x 15" tailpiece	SO1362
V-500-AA, Vacuum breaker with 1" x 9" tailpiece	SO1365
V-500-AA, Vacuum breaker with 1-1/4" x 9" tailpiece	SO1370
V-500-AA, Vacuum breaker with 1-1/2" x 9" tailpiece	SO1375
V-500-AA, Vacuum breaker with 1-1/2" x 21-1/2" tailpiece	SO1380
V-500-AA, Vacuum breaker with 1-1/2" x 24-1/2" tailpiece	SO1383
Premium VB Assemblies	
V-600-A, Vacuum breaker assembly <i>less tailpiece</i>	SO1375A
V-600-AA, Vacuum breaker with 3/4" OD x 9" tailpiece	SO1361
V-600-AA, Vacuum breaker with 3/4" OD x 15" tailpiece	SO1363
V-600-AA, Vacuum breaker with 1 1/4" OD x 9" tailpiece	SO1372
V-600-AA, Vacuum breaker with 1 1/4" OD x 21 1/2" tailpiece	SO1373
V-600-AA, Vacuum breaker with 1 1/2" OD x 9" tailpiece	SO1377
V-600-AA, Vacuum breaker with 1 1/2" OD x 13 1/2" tailpiece	SO1378
V-600-AA, Vacuum breaker with 1 1/2" OD x 21 1/2" tailpiece	SO1380G

O-Ring Style Tailpieces

Description	Order No.
Metal Lock Ring only	SO1253
Rubber O-Ring only	SO1095
Complete 2-1/16" long tailpiece	SO1240
Complete 3-1/16" long tailpiece	SO1245



Complete Tailpiece

Coupling Assemblies



The coupling assembly includes all items pictured directly above

Description	Order No.
3/4" coupling assembly	SO1145
1" coupling assembly	SO1150
1 1/4" coupling assembly	SO1155
1 1/2" coupling assembly	SO1160
Individual Repair Parts	
3/4" rubber gasket	SO1185
1" rubber gasket	SO1190
1 1/4" rubber gasket	SO1191
1 1/2" rubber gasket	SO1192
3/4" plastic ring	SO1165
1" plastic ring	SO1170
1 1/4" plastic ring	SO1175
1 1/2" plastic ring	SO1180

Spud Coupling Trim

Description	Order No.
3/4" spud coupling trim	SO1195
1" spud coupling trim	SO1200
1 1/4" spud coupling trim	SO1205
1 1/2" spud coupling trim	SO1210
Individual Repair Parts	
3/4" plastic ring	SO1165
1" plastic ring	SO1170
1 1/4" plastic ring	SO1175
1 1/2" plastic ring	SO1180
3/4" rubber gasket	SO1185
1" rubber gasket	SO1190
1 1/4" rubber gasket	SO1191
1 1/2" rubber gasket	SO1192



The spud coupling trim includes all items pictured directly above

Pedal Button Flush Valve Repair Kit



Description	Order No.
B-40-A, Complete Kit	SO1100
B-39, Seal only	SO1095

Vacuum Breaker Kits

Description	Order No.
V-551-A, standard vacuum breaker repair kit	SO1095
V-651-A, premium Permax vacuum breaker repair kit: Longer lasting!	SO1106

V651A



Vacuum Breaker for "Old" Valves

Description	Order No.
For Flush Valves before 1971	
V-101-A, Repair Kit to convert old style (pre-1971) V100 vacuum breaker into a code compliant V-500 vacuum breaker.	SO1325



V101A

Sloan Battery Powered Automatic Flush Valves

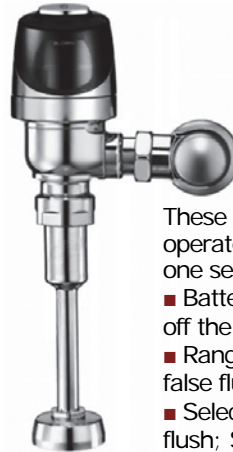
G2 Optima Automatic, Battery Powered Flush Valves



G2 Optima Plus
Battery-Powered
Sensor Operated
Toilet Flush
Valves

These new G2 Sloan Optima Plus sensor operated toilet flush valves run for years on one set of 4 "AA" batteries.

- Batteries can be changed without turning off the water — 8 second arming delay.
- Courtesy flush override button allows for manual flushing; Range adjustment control.
- Select from 3.5, 1.6 or 1.28 GPF.
- Sentinel flush once every 24-hours.
- 1½" vacuum breaker tailpiece.
- 1" pipe water supply connection.

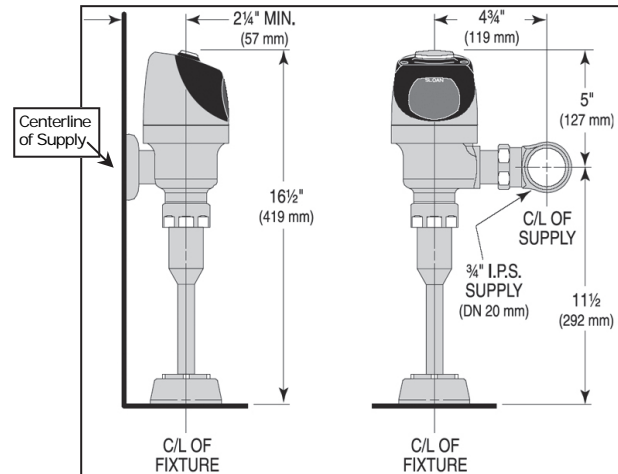
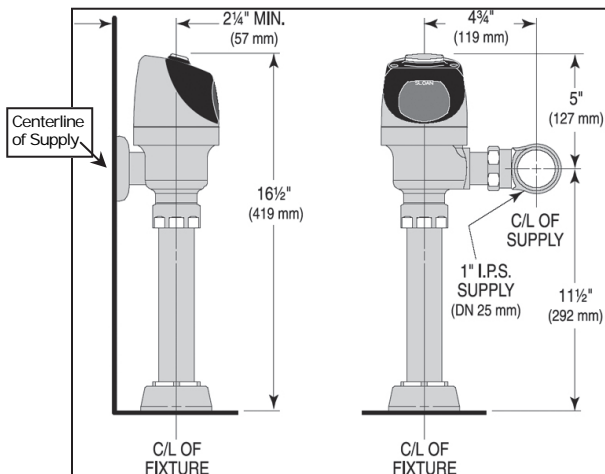


G2 Optima Plus
Battery-Powered
Sensor Operated
Urinal Flush
Valves

These new G2 Sloan Optima Plus sensor operated urinal flush valves run for years on one set of 4 "AA" batteries.

- Batteries can be changed without turning off the water — 8 second arming delay.
- Range adjustment control for eliminating false flushing and courtesy flush button.
- Select from 1.5, 1.0 or 0.5 gallons per flush; Sentinel flush every 24-hours.
- 1¼" or ¾" vacuum breaker tailpiece.
- ¾" pipe water supply connection.

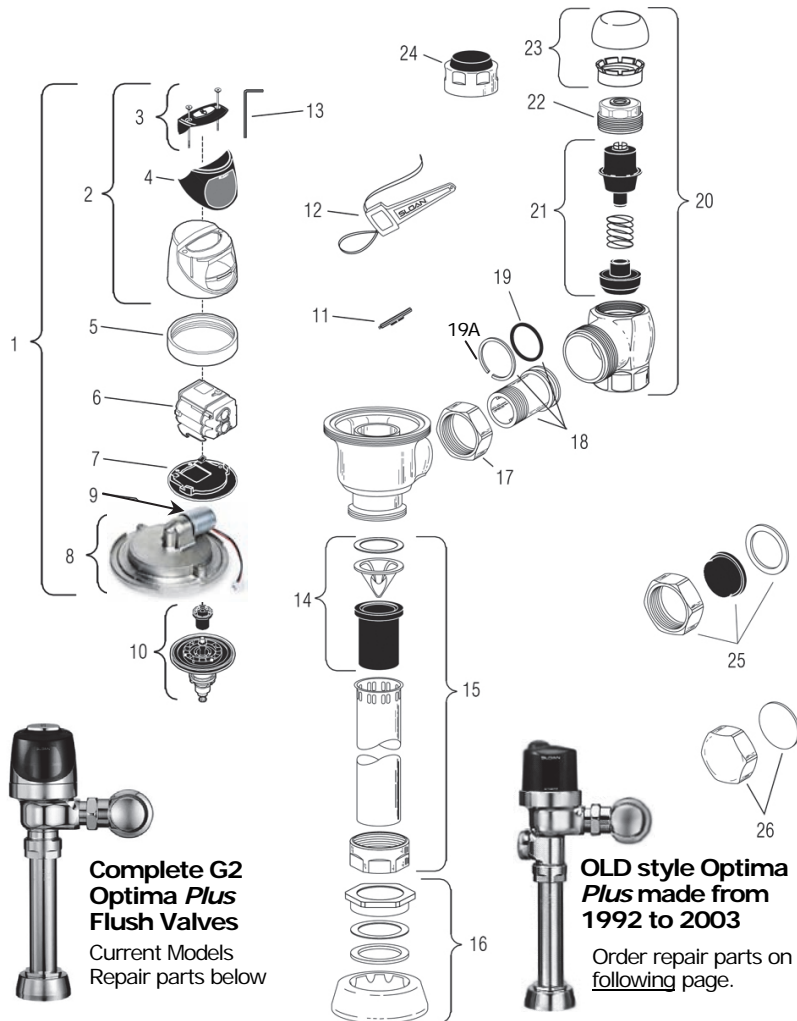
¾" vacuum breaker tailpiece shown



Description: Battery powered TOILET valves	Order No.
G2 Optima Plus Toilet Flush Valves	
G2 8110 , Centerline of supply 11.5" above top of fixture, 3.5 gallons per flush, 1½" top connection	SN1155
G2 8111 , same as 8110, but 1.6 gallons per flush for low consumption toilets, 1½" top connection	SN1157
G2 8111-1.28 , same as 8110, but 1.28 gallons per flush for low consumption toilets, 1½" top connection	SN1157A
G2 8113 , Centerline of supply 16" above top of fixture, 3.5 gallons per flush, 1½" top connection	SN1158
G2 8113-1.6 , same as 8113, but 1.6 gallons per flush for low consumption toilet, 1½" top connection	SN1158A
G2 8113-1.28 , same as 8113, but 1.28 gallons per flush for low consumption toilet, 1½" top connection	SN1157T
G2 8115-1.6 , Centerline of supply 24" above top of fixture, 1.6 gallons per flush, 1½" top connection	SN1157D
G2 8115-1.28 , Centerline of supply 24" above top of fixture, 1.28 gallons per flush, 1½" top connection	SN1157H
G2 8116-1.6 , Centerline of supply 27" above top of fixture, 1.6 gallons per flush, 1½" top connection	SN1158B

Description: Battery powered URINAL valves	Order No.
G2 Optima Plus Urinal Flush Valves	
G2 8180 , Centerline of supply 11.5" above fixture, 3.5 gallons per flush, 1¼" top mounted urinals	SN1160
G2 8180-1.5 , same as 8180 but 1.5 gallons per flush, for 1¼" top mounted urinals	SN1161
G2 8180-1.0 , same as 8180 but 1.0 gallons per flush, for 1¼" top mounted urinals	SN1159
G2 8186 , Centerline of supply 11.5" above fixture, 1.5 gallons per flush, ¾" top mounted urinals	SN1167
G2 8186-1.0 , same as 8186 but 1.0 gallons per flush, for ¾" top mounted urinals	SN1166
G2 8186-0.5 , same as 8186, but 0.5 gallons per flush for ¾" top mounted urinals	SN1164
For High Efficiency Urinals	
G2 8186-0.25 , same as 8186, but 0.25 gallons per flush for ¾" top mounted urinals	SN1164E
G2 8186-0.125 , same as 8186, but 0.125 gallons per flush for ¾" top mounted urinals	SN1164H

Sloan G2 Optima Plus Flush Valve Repair Parts



Sloan G2 Optima Diaphragm Kits



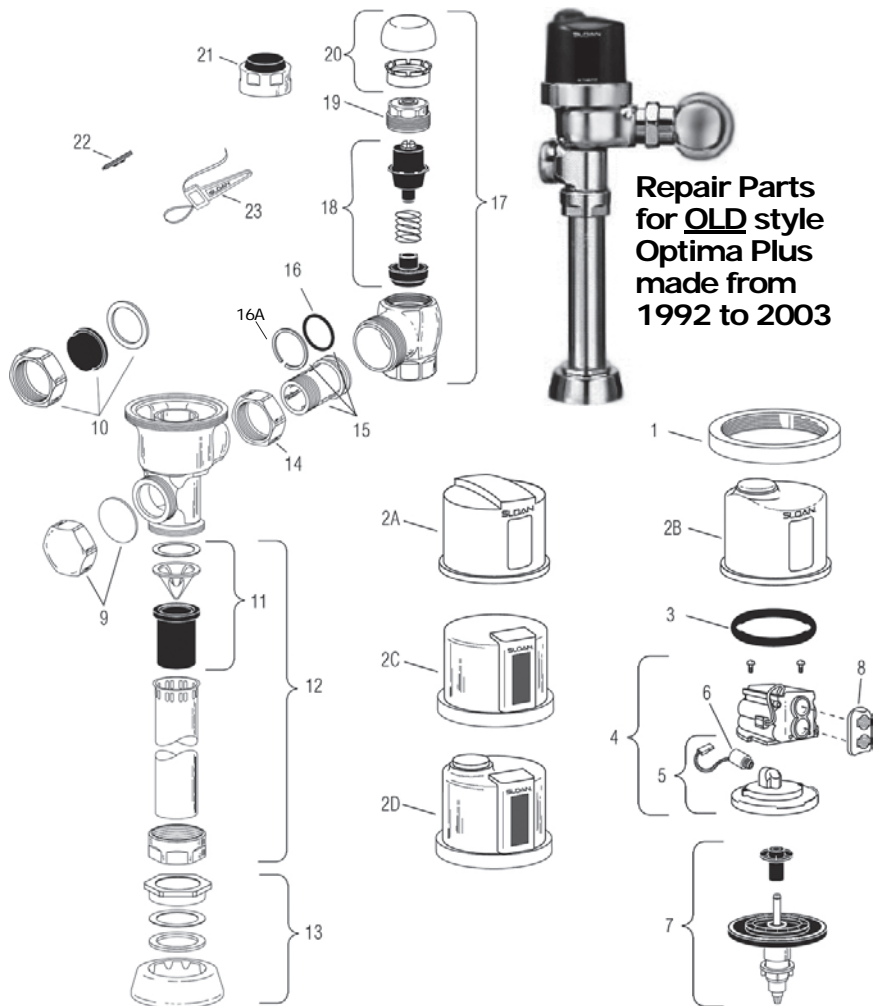

Flex Tube Diaphragm Kits	Order No.
For Urinal, 0.5 gpf (EBV-1023-A)	SO1115E
For Urinal, 1.0 gpf (EBV-1022-A)	SO1115D
For Urinal, 1.5 gpf (EBV-1022-A)	
For Urinals with 3.5 gpf and all Toilets With 1.6, 3.5 and 4.5 gpf (EBV-1020-A)	SO1115A
Replacement Regulators Only	
For Urinal, 0.5 gpf (EBV-95, Green)	SO1133F
For Urinal, 1.0 gpf (EBV-95, Green)	
For Urinal, 1.5 gpf (EBV-102-2, Black)	SO1133H
For Urinal, 3.5 gpf (EBV-102-1, White)	SO1133G
For Toilet, 1.6 gpf (EBV-95, Green)	SO1133F
For Toilet, 3.5 gpf (EBV-102-1, White)	SO1133G

The above repair parts fit the G2 Optima battery-powered flush valves: Introduced in May, 2003 to replace the first generation Optima Plus automatic flush valves made from 1992 until 2002.

Item	Individual Parts Description	Order No.
1	EBV-138-A, G2 cover/ring/sensor assembly — Toilet	SO1134T
	EBV-139-A, G2 cover/ring/sensor assembly — Urinal	SO1134U
2	EBV-142-A, Cover assembly	SO1134X
3	EBV-130-A, Override button assembly with tool, screws	SO1134L
4	EBV-131, Lens window cover	SO1134M
5	EBV-14, Locking ring	SO1116A
6	EBV-129-AC, G2 Complete Electronic Module (Toilets)	SO1134J
	EBV-129-AU, G2 Complete Electronic Module (Urinals)	SO1134K
7	EBV-134, Cover Rest plate	SO1134P
8	EBV-145-A, G2 inside cover assembly with solenoid	SO1134Z
9	EBV-136-A, Solenoid only (for G2 modules only)	SO1134R
10	Valve repair kits and parts — See inset above	
11	EBV-91, Trim pot adjustment screwdriver	SO1116E
12	EBV-22, Strap wrench for maintenance & service	SO1116F
13	EBV-137, Hex wrench, 7/64 size (from your tool supply)	
14	V-651-A, Vacuum breaker repair kit	SO1386
15	V-600-A, 3/4 x 9" chrome plated vacuum breaker	SO1361
	V-600-A, 1 1/4 x 9" chrome plated vacuum breaker	SO1372
	V-600-A, 1 1/2 x 9" chrome plated vacuum breaker	SO1377

Item	Individual Parts Description	Order No.
16	F-5-A, 3/4 Spud coupling, chrome plated (CP)	SO11195
	F-5-A, 1 1/4 Spud coupling, CP	SO1205
	F-5-A, 1 1/2 Spud coupling, CP	SO1210
17	H-550, Stop coupling, CP	SO1237
18	H-551-A, Adjustable tailpiece 2-1/16" long, CP	SO1240
19	H-553, O-Ring for tailpiece	SO1260
19A	H-552, Locking ring	SO1253
20	H-700-A, Water control stop complete, 1" CP	SO1280
	H-700-A, Water control stop complete, 3/4" CP	SO1275
21	H-541-A, Control stop kit for H-700-A 1" and 3/4" and H-600-A 1" screwdriver water control stops	SO1250
	H-543-A, Control stop kit for H-600-A 3/4"	SO1235
22	H-622, Bonnet for H-700-A 1" and 3/4" and H-600-A 1" screwdriver water control stops	SO1274
	H-577, Bonnet for H-600-A 3/4" water control stop	SO1272
23	H-1010-A, Vandal-resistant cap for H-700-A 1" and 3/4" and H-600-A 1" screwdriver water control stops	SO1258
	H-1009-A, Vandal-resistant cap for H-600-A 3/4" water control stop	SO1257
24	EBV-1019-A, Decorative stop cap, 3/4"	SO1134C
	H-574, Decorative stop cap, 1"	SO1262
25	EBV-1018-A, Handle cap — Decorative	SO1134B
26	EBV-1019-A, Handle cap — Metal	SO1133

Sloan Optima Plus Valve Repair Parts, Old Style



Optima Plus Diaphragm Kits

Regulator Only

Flex Tube Diaphragm KIT

Flex Tube Diaphragm Diaphragms *not* sold separately

Flex Tube Diaphragm Kits	Order No.
For Urinal, 0.5 gpf (EBV-1023-A)	SO1115E
For Urinal, 1.0 gpf (EBV-1022-A)	SO1115D
For Urinal, 1.5 gpf (EBV-1022-A)	SO1115A
For Urinals with 3.5 gpf and <u>all</u> Toilets With 1.6, 3.5 and 4.5 gpf (EBV-1020-A)	SO1115A
Replacement Regulators Only	
For Urinal, 0.5 gpf (EBV-95, Green)	SO1133F
For Urinal, 1.0 gpf (EBV-95, Green)	SO1133F
For Urinal, 1.5 gpf (EBV-102-2, Black)	SO1133H
For Urinal, 3.5 gpf (EBV-102-1, White)	SO1133G
For Toilet, 1.6 gpf (EBV-95, Green)	SO1133F
For Toilet, 3.5 gpf (EBV-102-1, White)	SO1133G

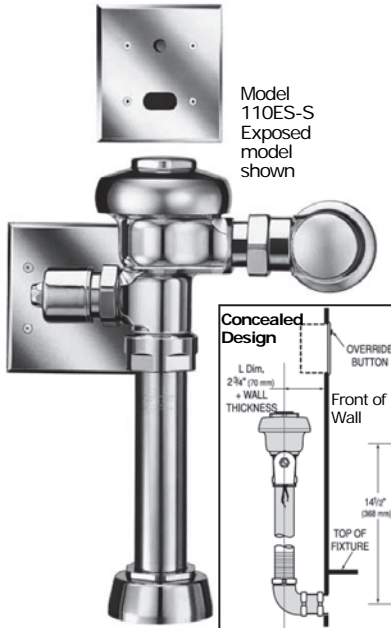
The above repair parts fit the Optima *Plus* battery-powered flush valves: The Optima *Plus* model was manufactured from 1992-2003. Replaced in 2003 by the G2 Optima battery-operated flush valves.

Item	Description	Order No.
1	EBV-14, Locking ring	SO1116A
2A	EBV-11, Plastic Cover (Urinal)	SO1116
2B	EBV-38-A, Plastic Cover with override button (Toilet)	SO1117
2C	EBV-55-A, <u>Metal</u> Cover (Urinal)	SO1118
2D	EBV-60-A, <u>Metal</u> Cover with override button (Toilet)	SO1118A
3	EBV-67, Cover gasket	SO1116C
4	EBV-146-A-U, Electronic Module (Urinal)	SO1114E
	EBV-146-A-C, Electronic Module (Toilet)	SO1114B
5	EBV-21-A, Inside cover assembly with solenoid	SO1116B
6	EBV-144-A, Isolated solenoid operator	SO1133J
7	See "Diaphragm Kits" chart above	
8	EBV-46-A, Beam deflector	SO1134
9	EBV-1017-A, Handle cap—Metal	SO1133
10	EBV-1018-A, Handle cap—Decorative	SO1134B
11	V-651-A, Vacuum breaker repair kit	SO1386
12	V-600-A, 3/4 x 9" vacuum breaker assembly	SO1361
	V-600-A, 1 1/4 x 9" vacuum breaker assembly	SO1372
	V-600-A, 1 1/2 x 9" vacuum breaker assembly	SO1377

Item	Description	Order No.
13	F-5-A, 3/4" spud coupling, chrome plated	SO1195
	F-5-A, 1 1/4" spud coupling, chrome plated	SO1205
	F-5-A, 1 1/2" spud coupling, chrome plated	SO1210
14	H-550, Stop coupling, chrome plated	SO1237
15	H-551-A, Adjustable tailpiece, 2-1/16", chrome plated	SO1240
16	H-553, O-Ring	SO1260
17	H-700-A, Water control stop complete, 1" CP	SO1280
	H-700-A, Water control stop complete, 3/4" CP	SO1275
18	H-541-A, Control stop kit for H-700-A 1" and 3/4" <u>and</u> H-600-A 1" screwdriver water control stops	SO1250
	H-543-A, Control stop kit for H-600-A 3/4"	SO1235
19	H-622, Bonnet for H-700-A 1" and 3/4" <u>and</u> H-600-A 1" screwdriver water control stops	SO1274
	H-577, Bonnet for H-600-A 3/4" water control stop	SO1272
20	H-1010-A, Vandal-resistant cap for H-700-A 1" and 3/4" <u>and</u> H-600-A 1" screwdriver water control stops	SO1258
	H-1009-A, Vandal-resistant cap for H-600-A 3/4" water control stop	SO1257
21	EBV-1019-A, Decorative stop cap, 3/4"	SO1134C
	H-574, Decorative stop cap, 1"	SO1262
22	EBV-91, Adjustment screwdriver	SO1116E
23	EBV-22, Disposable strap wrench	SO1116F

Sloan AC Electric Automatic Flush Valves

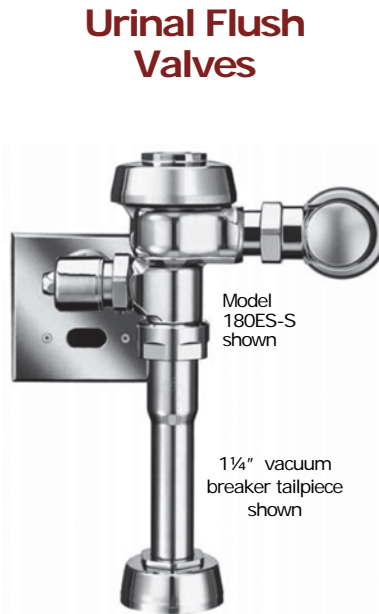
AC Electrical Operated Flush Valves for TOILETS and URINALS



Toilet Flush Valves

Select from 3.5 gallons per flush and 1.6 gpf Royal models.

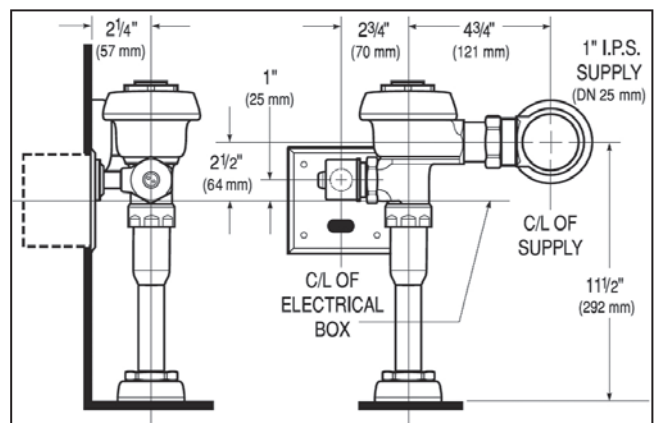
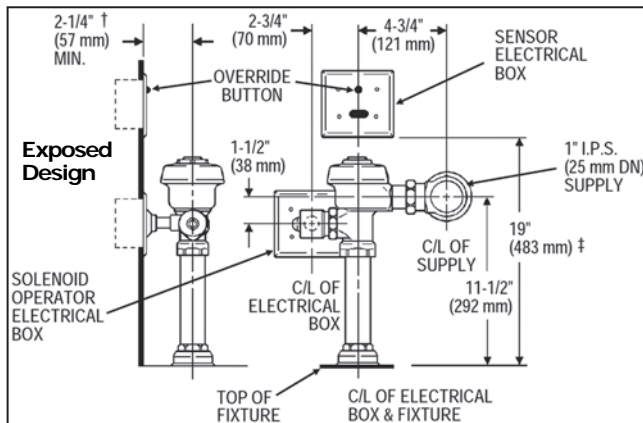
- 1/2" bottom or back connection (for concealed flush valve) to top or back supply of toilet.
- 1" pipe supply line.
- Self-Adaptive Infrared Sensor with Indicator Light
- User friendly three (3) second Flush Delay
- Courtesy Flush Override Button
- Chrome Plated Wall Cover Plates (for 2-gang Electrical Box) with Vandal Resistant Screws



Urinal Flush Valves

Select from 1.5, 1.0 and 0.5 gallons per flush (gpf) Royal models.

- 1/4" (Model 180) or 3/4" (Model 186) vacuum breaker tailpiece.
- 1" pipe supply line.
- EL-1500 Self-Adaptive Infrared Sensor with Indicator Light
- Non-Hold-Open Integral Solenoid Operator
- Chrome Plated Wall Cover Plate (for 2-gang Electrical Box) with Vandal Resistant Screws
- 1" I.P.S. Screwdriver Bak-Chek™ Angle Stop
- Free Spinning Vandal Resistant Stop Cap
- Adjustable Tailpiece

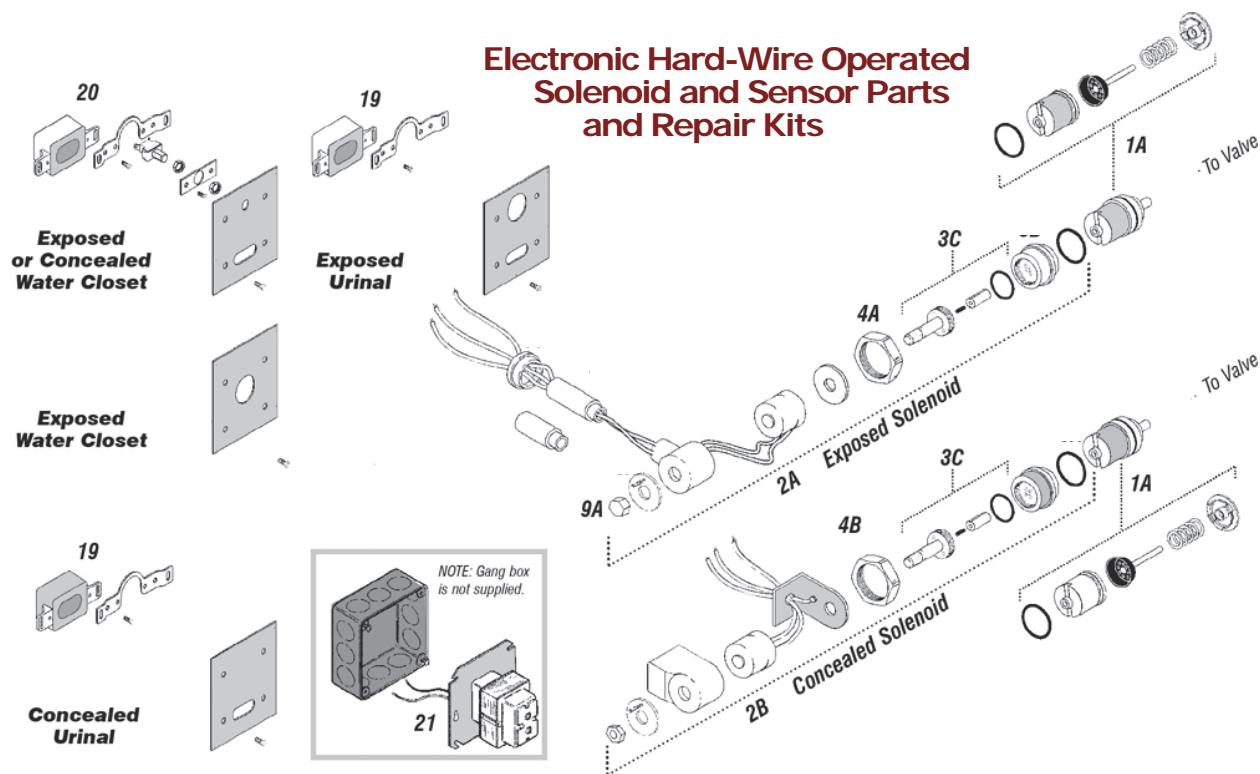


Description - All models end with "ES-S"	Order No.
Exposed Sloan AC Electrical TOILET Flush Valves	
Model 110 , Centerline of supply 11.5" above fixture, 3.5 gallons per flush, 1/2" top mount	SN1011
Model 111 , same as 110 but for low consumption 1.6 gallons per flush toilets, 1/2" top mount	SN1011A
"Concealed" Sloan TOILET Flush Valves Similar to above, but the valves are concealed behind the wall. Only the Sensor's electrical box is visible. For back supply Toilet.	
Model 152 , same as 110, but valve is concealed behind wall, 3.5 gallons per flush, 1/2" back mount	SN1011M
Model 152-1.6 , same as 111, but valve is concealed behind wall, 3.5 gpf, 1/2" back mount	SN1011N

Description - All models end with "ES-S"	Order No.
Exposed Sloan AC Electrical URINAL Flush Valves	
Model 180 , Centerline of supply 11.5" above fixture, 3.5 gallons per flush, 1/4" top mounted urinals	SN1011T
Model 180-1.5 , same as 180 but 1.5 gallons per flush, for 1/4" top mounted urinals	SN1011S
Model 180-1.0 , same as 180 but 1.0 gallons per flush, for 1/4" top mounted urinals	SN1011R
Model 186 , Centerline of supply 11.5" above fixture, 1.5 gallons per flush, 3/4" top mounted urinals	SN1012
Model 186-1.0 , same as 186 but 1.0 gallons per flush, for 3/4" top mounted urinals	SN1012A
Model 186-0.5 , same as 186, but 0.5 gallons per flush for 3/4" top mounted urinals	SN1012B

Transformers sold separately. See item 21 on next page.

Sloan AC Electric Automatic Sensor Repair Parts



Item	AC Electrical Parts Description	Order No.
1A	3305043, EL-128-A Actuator Cartridge Assembly Repair Kit.	SO1142
2A	0305329, EL-124-2 CP 24 VAC Solenoid Assembly	SO1140
2B	0305331, EL-138-2 RB 24 VAC Solenoid Assembly	SO1143
3C	0305165, EL-163-A Solenoid Shaft Assembly	SO1120
4A	0301082, A-6 CP Handle Coupling	SO1010
4B	0301082, A-6 CP Handle Coupling	
9A	0305125, EL-101 CP Nut for Solenoid	SO1141
19	3305620, EL-1500 Urinal Sensor Replacement Kit (Urinal only)	SO1122
20	3305621, EL-1500-L Closet Sensor Replacement Kit (Closet only)	SO1123
21	0345154, EL-154 Transformer (120 VAC)	SO1119
	0345999, EL-342 Transformer (240 VAC)	SO1120T

Sloan Manual to Automatic Retro Kits

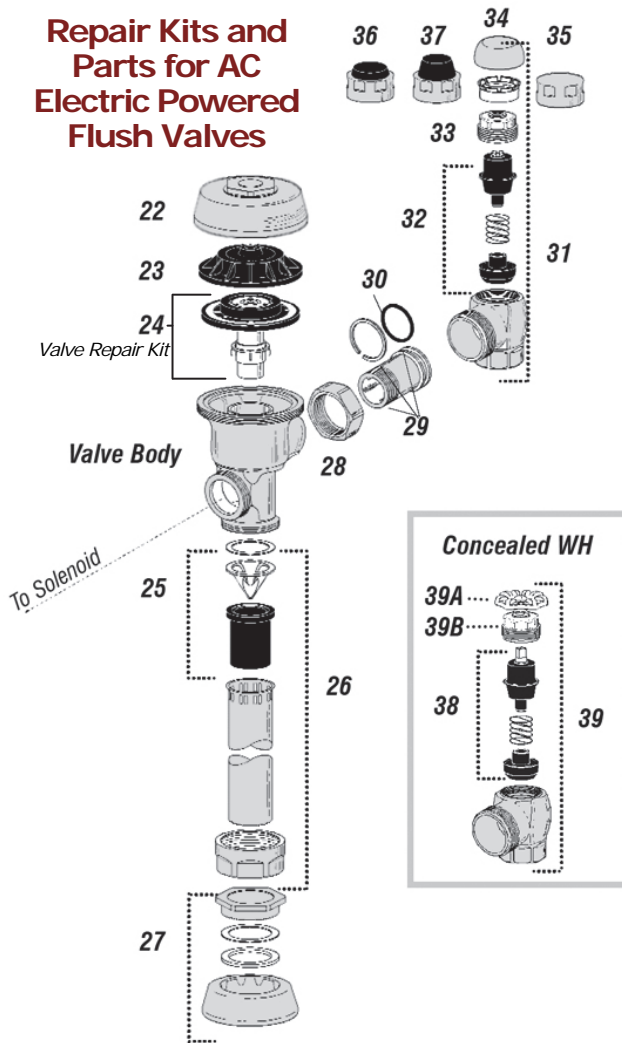
- Select from Urinal or Toilet Retrofit Kits!
- PERMEX™ Synthetic Rubber Diaphragm with Dual Filtered Fixed Bypass.
- ADA Compliant OPTIMA Plus® Battery Powered Infrared Sensor for automatic "No Hands" operation.
- Isolated Latching Solenoid Operator, isolates magnetic components from water contact.
- Engineered Metal Cover with Replaceable Lens Window.
- User-friendly three (3) second Flush Delay and Courtesy Flush™ Override Button.
- Four (4) Size AA Batteries factory installed.
- "Low Battery" Flashing LED.
- Infrared Sensor Range Adjustment Screw
- Initial Set-up Range Indicator Light
- Diaphragm, Stop Seat and Vacuum Breaker molded from PERMEX™ Rubber Compound for Chloramine Resistance.



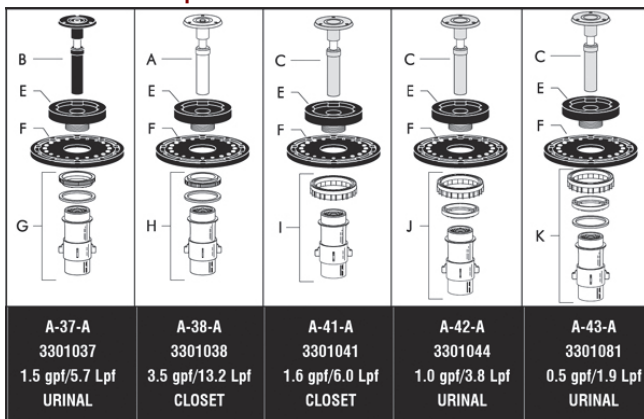
Description	Order No.
Model RESS-U , Optima Top-Mount, 1.0 to 1.6 GPF Battery-Powered Retrofit Kit for URINALS	SN1183
Model RESS-C , Optima Top-Mount, 1.6 GPF Battery-Powered Retrofit Kit for TOILETS	SN1170

Sloan AC Electric Automatic Valve Repair Parts

Repair Kits and Parts for AC Electric Powered Flush Valves



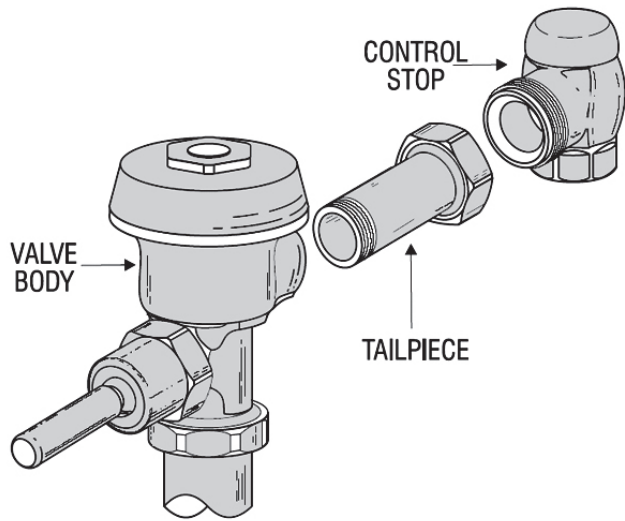
Valve Repair Kits



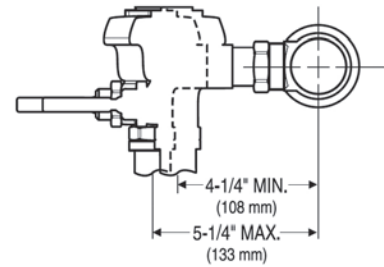
Kit	Description	Order No.
A-37-A	Repair Kit, 1.5 gallons per flush, for urinal	SO1045
A-38-A	Repair Kit, 3.5 gallons per flush, for toilet	SO1050
A-41-A	Repair Kit, 1.6 gallons per flush, for toilet	SO1052
A-42-A	Repair Kit, 1.0 gallons per flush, for urinal	SO1053
A-43-A	Repair Kit, 0.5 gallons per flush, for urinal	SO1053A

Item	Repair Parts Description	Order No.
22	0301172, A-72 chrome plated Cover	SO1060
23	0301168, A-71 Inside Cover	SO1055
24	See Valve Repair Kits in bottom, left-hand corner	
25	3323182, V-651-A Vacuum Breaker Repair Kit	SO1386
26	0393004, V-600-AA 3/4" x 9" chrome plated Vacuum Breaker	SO1361
	0393006, V-600-AA 1-1/4" x 9" chrome plated Vacuum Breaker	SO1372
	0393007, V-600-AA 1-1/2" x 9" chrome plated Vacuum Breaker	SO1377
27	0306125, F-5-AW 3/4" chrome plated Spud Coupling Assembly	SO1195
	0306140, F-5-AU 1-1/4" chrome plated Spud Coupling Assembly	SO1205
	0306146, F-5-AT 1-1/2" chrome plated Spud Coupling Assembly	SO1210
28	0308676, H-550 chrome plated Stop Coupling	SO1237
29	0308801, H-551-A chrome plated Adjustable Tail 2-1/16" long	SO1240
30	5308696, H-553 "O" Ring	SO1260
31	3308386, H-700-A 1" Screwdriver Bak-Chek® Angle Stop chrome plated - complete	SO1280
	3308384, H-700-A 3/4" Screwdriver Bak-Chek® Angle Stop chrome plated - complete	SO1275
32	3308853, H-541-A-SD Control Stop Repair Kit for use with 1" & 3/4" H-700-A, 1" H-600-A, 1" & 3/4" H-740-A and 1" H-540-A screw driver Stops	SO1250
	3308856, H-543-A-SD Control Stop Repair Kit for use with 3/4" H-600-A and H-540-A screw driver Stops	SO1235
33	0308612, H-622 chrome plated Bonnet for use with 1" & 3/4" H-700-A and 1" H-600-A screw driver Stops	SO1274
	0308843, H-577 chrome plated Bonnet for use with 3/4" H-600-A screw driver Stops	SO1272
34	3308791, H-1010-A 1" Vandal Resistant Control Stop Cap Assembly for use with 1" & 3/4" H-700-A and 1" H-600-A screw driver Stops	SO1258
	3308790, H-1009-A 3/4" Vandal Resistant Control Stop Cap Assembly for use with 3/4" H-600-A screw driver Stops	SO1257
35	0308840, H-573 1" Control Stop Cap chrome plated for use with 1" & 3/4" H-700-A and 1" H-600-A screw driver Stops	SO1270
	0308848, H-582 3/4" Control Stop Cap chrome plated for use with 3/4" H-600-A screw driver Stops	SO1265
36	3308866, H-574 1" Control Stop Cap with Bumper for use with 1" & 3/4" H-700-A and 1" H-600-A screw driver Stops	SO1262
37	3308867, H-576 1" Control Stop Cap with Extended Bumper for use with 1" & 3/4" H-700-A and 1" H-600-A screw driver Stops	SO1263
38	3308860, H-1006-A Repair Kit for 1" Stops with Concealed WH for use with 1" H-700, H-600, and H-540 wheel handle Series Stops	SO1294J
	3308859, H-1007-A Repair Kit 3/4" Stops with Concealed wheel handle for use with 3/4" H-700 wheel handle Series Stops	SO1294K
39	0388010, H-730-A 1" Concealed wheel handle Bak-Chek® Angle Stop, rough brass	SO1293
	0388011, H-730-A 3/4" Concealed wheel handle Bak-Chek® Angle Stop, rough brass	SO1291
39A	3308872, H-1011-A Repair Kit (for Concealed wheel handle only; does not include bonnet)	SO1294N
39B	0208083, H-623 Bonnet	SO1274A
	0308705, H-561 Bonnet	SO1261

Sloan Tailpieces and Pedal Valve Repair Kit

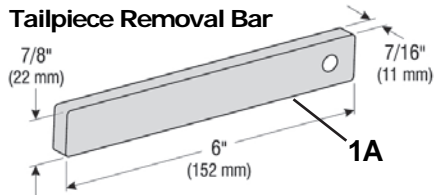


The Tailpiece is the connection between the Valve Body and the Control Stop. Sloan Adjustable and Ground Joint Tailpieces are threaded into the Valve Body at the factory. Sloan Tailpieces are available in a variety of lengths to accommodate installation rough-in errors and unique installation requirements.



Easily Remove Sloan Tailpieces!

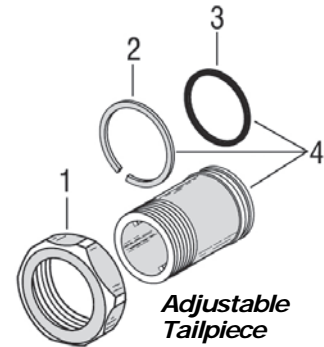
Sloan Adjustable and Ground Joint Tailpieces are assembled into the Valve Body using a pipe thread. Significant force is used to drive the Tailpiece into the Valve Body. As such, removal of the old Tailpiece may be difficult. For replacement, we recommend using the H-530 Tailpiece Removal Bar.



- Remove the Flushometer cover and interior parts.
- Secure the Tailpiece Removal Bar vertically in a vice. Place the Flushometer Tailpiece over the Bar. The cast lugs inside the Tailpiece will catch on the Bar.
- Insert a length of 3/4" pipe into the barrel of the Valve Body.
- Unscrew Tailpiece from Valve Body and assemble the new Tailpiece into the Valve Body in the reverse manner.
- Use Teflon tape (or pipe sealant) on Tailpiece pipe threads.
- Ensure that both the Coupling and the Locking Ring (Adjustable Tailpiece only) are on the Tailpiece before tightening the assembly.
- Do NOT use sealant on the first few threads of the Tailpiece.

H-551-A Tailpieces and Repair Parts

- The majority of flush valves supplied by Sloan since 1964 feature the H-551-A Adjustable Tailpiece. The valve Tailpiece connects to the Control Stop with a sliding O-ring seal.
- The H-551-A Adjustable Tailpiece standard length is 2-1/16". Designed for a standard flush valve installation where the distance between the centerline of the valve and the centerline of the water supply inlet is 4-3/4". The Adjustable Tailpiece allows for a variance of $\pm 1/2$ " from this nominal dimension.



Different tailpiece lengths available. Order below.

Item	Description	Order No.
1A	Tailpiece Removal Bar	SO1232
1	Coupling Nut only, chrome plated	SO1237
2	Locking Ring only	SO1253
3	O-Ring only	SO1260
4	2-1/16" tailpiece assembly (items 2, 3 & 4)	SO1240
	3-1/16" tailpiece assembly (items 2, 3 & 4)	SO1245
	4-1/16" tailpiece assembly (items 2, 3 & 4)	SO1246
	5-1/16" tailpiece assembly (items 2, 3 & 4)	SO1247



Exposed



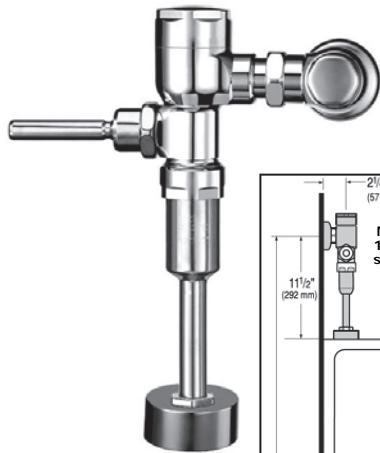
Concealed

Repair Kits for Pedal Operated Sloan Flush Valves

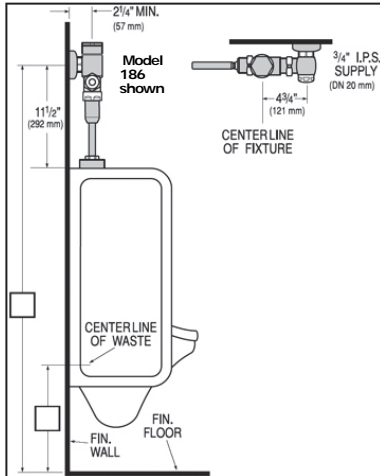
Valve Style	Description	Order No.
Exposed	Complete pedal assembly	SO1296
	Replacement pedal only	SO1296B
	Pedal repair kit less pedal — internal parts	SO1100
Concealed	Replacement pedal only	SO1296A
	Screw for pedal (order with above pedal)	SO1296C
	Pedal repair kit less pedal — internal parts	SO1107

Sloan Crown & Naval Flush Valves

CROWN and NAVAL Flush Valves for Toilets and Urinals



**CROWN
Flush
Valves**

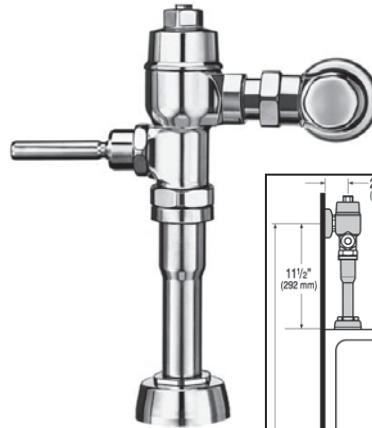


Select from 3.5 gallons per flush and 1.6 gpf models. 1.5" bottom connection to toilet; 1" pipe supply line.

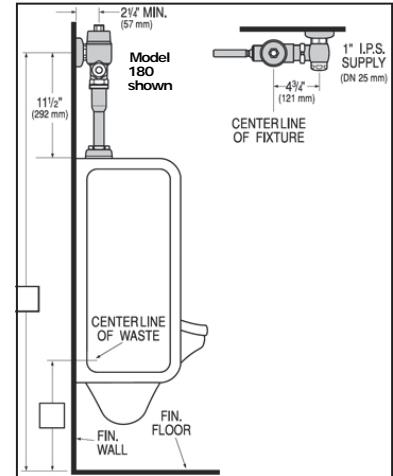
Select from 3/4", 1-1/4" and 1-1/2" top spud connections for urinals (3/4" or 1-1/4") and toilets (1-1/2"). Order valves that flush 1.6, 1.0 and 0.5 gallon per flush. For harsh water conditions.

FEATURES

- Quiet, Exposed, Piston Type, Chrome Plated Urinal Flushometer with the following features:
 - Fixed Volume Piston with Filtered O-ring Bypass
 - ADA Compliant Metal Oscillating Non-Hold-Open Handle with Triple Seal Handle Packing
 - Locking Vandal Resistant Stop Cap
 - Adjustable Tailpiece
 - High Back Pressure Vacuum Breaker Flush Connection with One-piece Bottom Hex Coupling Nut
 - Sweat Solder Adapter with Cover Tube and Cast Set Screw Wall Flange
 - High Copper, Low Zinc Brass Castings for Dezincification Resistance
 - Valve designed to accept Low and Ultra-Low Consumption Pistons only to ensure Water Conservation
 - Non-Hold-Open Handle, Fixed Metering Bypass and No External Volume Adjustment to Ensure Water Conservation
 - Handle Packing, Main Seat, Stop Seat and Vacuum Breaker to be molded from PERMEX™ Rubber Compound for Chloramine



**NAVAL
Flush
Valves**



Valves have adjustable gallon per flush operation (see below); 1 1/2, 1 1/4" or 3/4" bottom connection to urinal spud; 1" pipe supply line.

Select from 3/4", 1-1/4" and 1-1/2" top spud connections for urinals (3/4" or 1-1/4") and toilets (1-1/2"). Valves have adjustable gallons per flush operation. For harsh water conditions.

FEATURES

- Gallons per flush adjustable on all valves below: 0.5 gpf to 3.0 gpf
- Quiet, Exposed, Adjustable Piston Type, Chrome Plated Urinal Flushometer with the following features:
 - ADA Compliant Metal Oscillating Non-Hold-Open Handle
 - Self-cleaning Xpelor® Bypass
 - Vandal Resistant Stop Cap
 - Adjustable Tailpiece
 - Vacuum Breaker Flush Connection
 - Stamped Wall Flange
 - Ultra High Copper, Low Zinc Brass Castings for Dezincification and Salt Water Resistance
 - Handle Packing, Stop Seat and Vacuum Breaker to be Moldered from PERMEX™ Rubber Compound for Chloramine Resistance

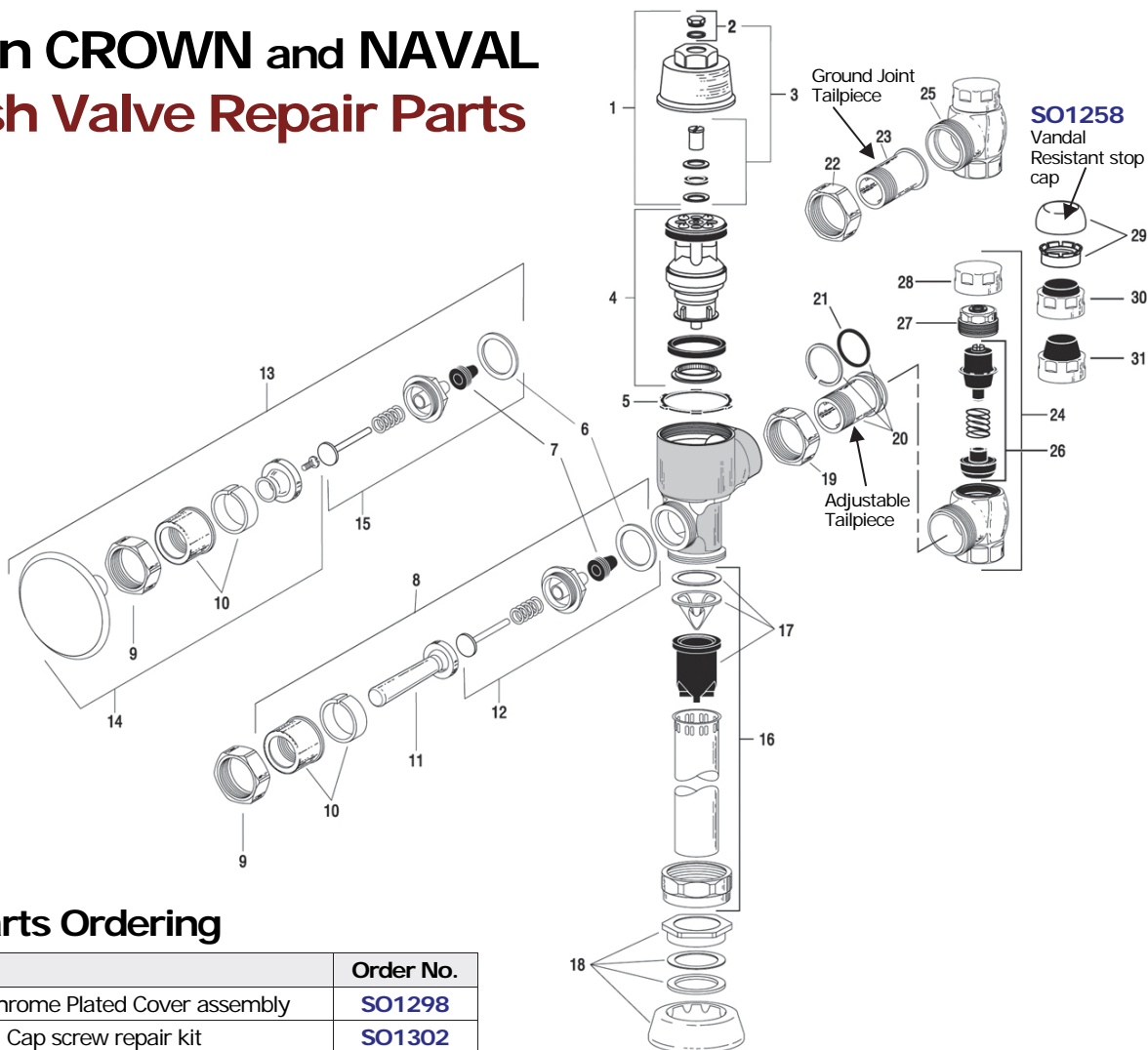
Valve shall be in compliance to the applicable sections of ASSE 1037, ANSI/ASME 112.19.6, and Military Specification V-29193.

Model 110 factory set to 3.5 gallons per flush; **Model 111** factory set to 1.6 gallons per flush; **Model 186** factory set to 1.0 gallons per flush; **Model 180** factory set to 1.5 gallons per flush. Gallons per flush adjustable on all valves.

Description	Order No.
CROWN Toilet Flush Valves	
Model 111 , 1.6 gallons per flush, 1-1/2" top toilet spud connection, 1" water supply	SN1005H
CROWN Urinal Flush Valves	
Model 186 , 1.0 gallons per flush, 3/4" top urinal spud connection, 3/4" water supply	SN1008J
Model 180 , 1.0 gallons per flush, 1-1/4" top urinal spud connection, 1" water supply	SN1008F

Description	Order No.
NAVAL Toilet Flush Valves	
Model 110 , Adjust from 1.5 to 7.0 gallons per flush, 1-1/2" top spud connection, 1" water supply	SN1004B
Model 111 , Adjust from 1.5 to 7.0 gallons per flush, 1-1/2" top spud connection, 1" water supply	SN1005E
NAVAL Urinal Flush Valves	
Model 186 , Adjust from .5 to 3.0 gallons per flush, 3/4" top spud connection, 3/4" water supply	SN1010G
Model 180 , Adjust from .5 to 3.0 gallons per flush, 1-1/4" top spud connection, 1" water supply	SN1008E

Sloan CROWN and NAVAL Flush Valve Repair Parts



Repair Parts Ordering

Item	Description	Order No.
1	CN-74-A, Chrome Plated Cover assembly	SO1298
2	CN-1007-A, Cap screw repair kit	SO1302
3	CN-1008-A, Regulating screw repair kit	SO1302A
4	CN-1002-A, Piston assembly for toilet	SO1300
	CN-1003-A, Piston assembly for urinal	SO1300A
	CN-1009-A, Piston assembly for shower	SO1302B
5	CN-76, Cover gasket	SO1298B
6	A-31, Handle gasket	SO1030
7	B-39, Handle seal	SO1095
8	B-32-A, Chrome Handle assembly	SO1090
9	A-6, Chrome Handle coupling	SO1010
10	B-7-A, Chrome Socket	SO1080
11	B-32, Chrome handle grip only	SO1085
12	B-50-A, Handle repair kit	SO1105
13	C-42-A, Chrome 3" push button assembly	SO1297
14	C-1000-A, 3" push button replacement kit	SO1297D
15	C-64-A, 3" push button repair kit	SO1297A
16	V-500-AA, 3/4" x 9" vacuum breaker	SO1360
	V-500-AA 1-1/4" x 9" vacuum breaker	SO1370
	V-500-AA, 1-1/2" x 9" vacuum breaker	SO1375
17	V-551-A, Vacuum breaker repair kit	SO1385
18	F-5-A, Chrome 3/4" spud coupling	SO1195
	F-5-A, Chrome 1-1/4" spud coupling	SO1205
	F-5-A, Chrome 1-1/2" spud coupling	SO1210

Item	Description	Order No.
19	H-550, Stop coupling	SO1237
20	NH-551-A, Chrome adjustable tailpiece, 2-1/16"	SO1303H
21	H-553, O-ring	SO1260
22	H-6, Chrome ground joint stop coupling	SO1214
23	NH-5, Ground joint tailpiece, 1-5/8"	SO1303G
24	H-700-A, 1" Chrome screwdriver control stop for adjustable tailpiece (Item 20 above)	SO1280
	<u>Repair Kit</u> , H-541-A, for 1" screwdriver control stop	SO1250
	H-700-A, 3/4" Chrome control stop for use with adjustable tailpiece (Item 20 above)	SO1275
25	<u>Repair Kit</u> , H-543-A, for 3/4" control stop	SO1256
	H-700-AG, 1" Chrome screwdriver control stop for use with ground joint tailpiece (Item 23 above)	SO1290
	<u>Repair Kit</u> , H-541-A, for 1" control stop	SO1250
26	H-700-AG, 3/4" Chrome screwdriver control stop for use with ground joint tailpiece (Item 23 above)	SO1285
	<u>Repair Kit</u> , H-543-A, for 3/4" screwdriver control stop	SO1256
	H-573, Chrome stop cap, 1"	SO1270
28	H-582, Chrome stop cap, 3/4"	SO1265
	H-574, Chrome stop cap with bumper, 1"	SO1262
30	H-574, Chrome stop cap with bumper, 1"	SO1262
31	H-576, like H-574 with <u>extended</u> bumper, 1"	SO1263

Sloan Bedpan Washer Flush Valves & Parts

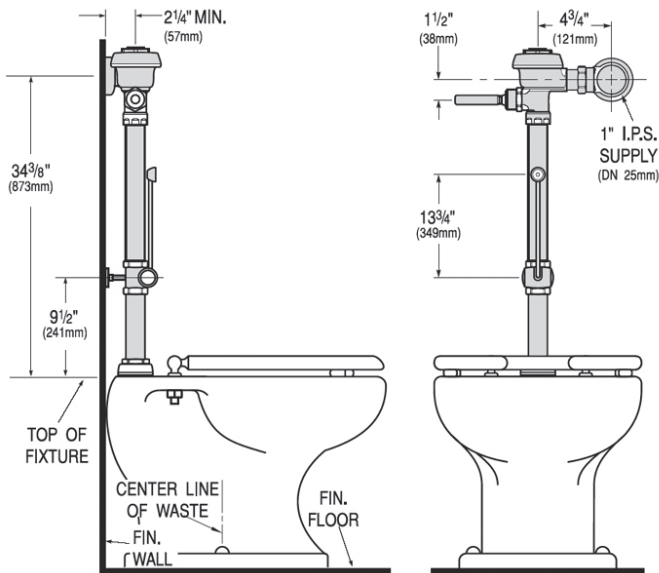


Model BPW-1000, Manual



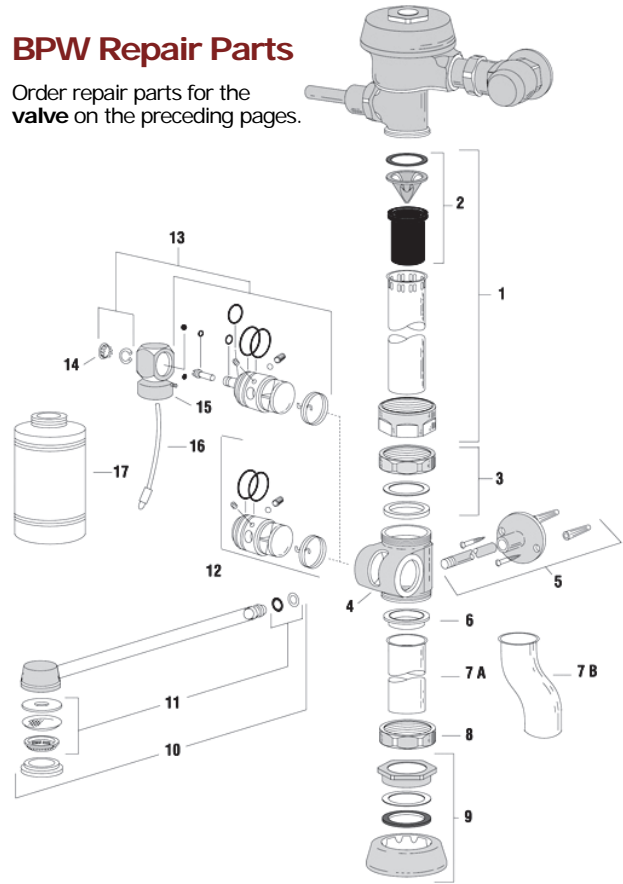
Model BPW-8005, Automatic

This exposed bedpan washer and flush valve has all the advantages of the high quality "Royal" model flush valve, along with the Slimline Diverter Valve assembly with solid brass spray arm and counter balanced pivot assembly. A 1" pipe size "screw driver" control stop with vandal resistant cap; adjustable tail piece, vacuum breaker flush connection; wall support and flange; spud coupling and spud flange for 1-1/2" top spud; sweat solder adapter ring for 1" copper tube installation; chrome plated cover tube and chrome plated cast set screw wall flange. Select from manual or automatic flush valve.



BPW Repair Parts

Order repair parts for the valve on the preceding pages.



Item	Description	Order No.
1	V-600-AA 1 1/2" x 2 1/2" Vacuum Breaker Assembly	SO1380A
	V-600-AA 1 1/2" x 1 3/2" Vacuum Breaker Assembly	SO1378
2	V-651-A, Vacuum breaker repair kit	SO1386
3	F-2-A, 1-1/2" slip joint coupling	SO1160
4	DV-1, Diverter valve body	SO1110D
5	DV-1001-A, Wall support kit	SO1111F
6	F-1003, Outlet tube gasket	SO1212
7A	F-1005, Outlet tube	SO1212B
7B	F-182, Outlet tube with 1-1/2" offset	SO1211
8	F-2, 1-1/2" Coupling nut	CG1485
9	F-5-A, 1-1/2" Spud coupling assembly	SO1210
10	DV-32-AA Spray arm replacement kit	SO1113
	DV-1013-A, Bio-Guard spray arm replacement kit	SO1113G
	DV-1014-A, Short spray arm replacement kit	SO1113H
11	DV-1007-A, Spray arm repair kit	SO1113F
12	DV-1003-A, Pivot replacement kit	SO1111H
13	DV-1002-A, Deoseptic pivot replacement kit	SO1111G
14	DV-21, Plug button	SO1110E
15	DV-33-A, Swivel & ball check assembly	SO1110G
16	DV-36-A, Aspirator tube assembly	SO1110H
17	DV-29, Deoseptic solution bottle	SO1110F
Bedpan Washer Rebuild Kits		
	Kit DV-50-A, Diverter Rebuild Kit , includes outlet tube gasket (#6), spray arm repair kit (#11), and all items in pivot replacement kit (#12) except pivot	SO1111

Description	Order No.
Model BPW-1000 Manual Flush Bedpan Washers	
BPW-1000, 3.5 gallon flush for old style toilets	SN1017
BPW-1005, 1.6 gallon flush for new style toilets	SN1018
BPW-1100, 1.6 gallons per flush	SN1019
Model BPW-8005 Automatic Flush Bedpan Washers	
BPW-8005 allows 3.5 gallons per flush	SN1019H
BPW-8005-1.6 for low consumption toilets, 1.6 gpf	SN1019G

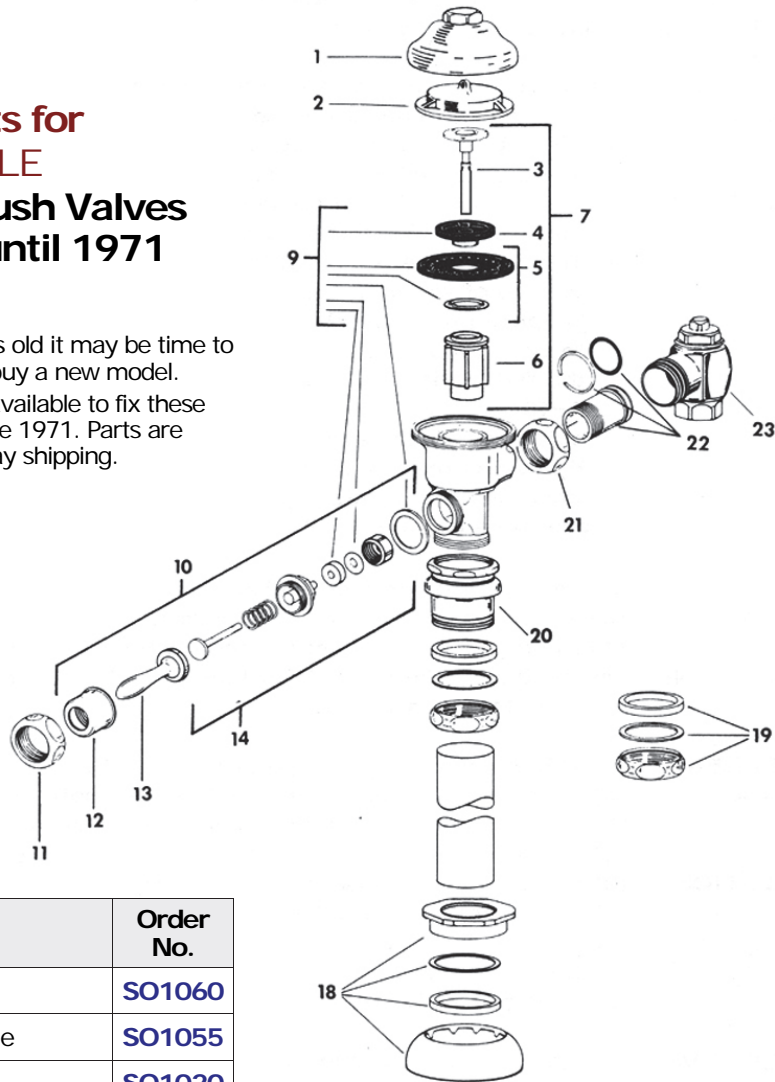
Sloan "Old Style" Flush Valve Repair Parts

Repair Parts for OLD STYLE Sloan "Royal" Flush Valves Manufactured until 1971

"Those were the days my friend!"

If you have Sloan Flush Valves this old it may be time to retire that workhorse and simply buy a new model.

However, repair parts do remain available to fix these "older" valves manufactured before 1971. Parts are usually in-stock ready for same-day shipping.



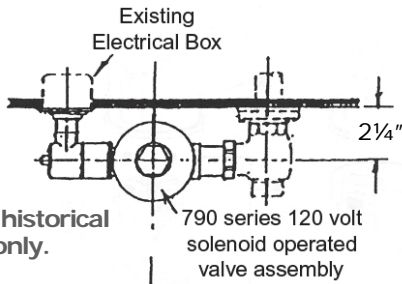
Item	Description	Order No.
1	Chrome cover, use new style	SO1060
2	Inside brass cover, use new style	SO1055
3	A-19-AC, Relief valve for toilet	SO1020
	A-19-AU, Relief valve for urinal	SO1025
4	A-15-A, Disc	SO1015
5	A-156-A, Diaphragm	SO1065
6	Brass Guide N/A, use the A-163-A guide	SO1075
7	A-36-A, Valve Repair Kit for 4.5 gallon per flush toilet	SO1040
	A-37-A, Valve Repair Kit for 1.5 gallon per flush urinal	SO1045
	A-38-A, Valve Repair Kit for 3.5 gallon per flush toilet	SO1050
9	A-156-AA, Washer set	SO1070
10	B-32-A, New style handle assembly	SO1090
11	A-6, Chrome handle coupling	SO1010
12	B-7-A, Chrome socket	SO1080
13	B-32, Chrome handle only	SO1085
14	B-50-A, Handle repair kit	SO1105

Item	Description	Order No.
18	F-5-A, Spud coupling assembly, 3/4"	SO1195
	F-5-A, Spud coupling assembly, 1"	SO1200
	F-5-A, Spud coupling assembly, 1-1/4"	SO1205
	F-5-A, Spud coupling assembly, 1-1/2"	SO1210
19	F-2-A, Outlet coupling assembly, 3/4"	SO1145
	F-2-A, Outlet coupling assembly, 1"	SO1150
	F-2-A, Outlet coupling assembly, 1-1/4"	SO1155
	F-2-A, Outlet coupling assembly, 1-1/2"	SO1160
20	V-100-A Retrofit Kit, changes old V-100-A to current V-500-A vacuum breaker	SO1235
21	H-550, Stop coupling	SO1237
22	H-551-A, Adjustable tailpiece, 2-1/16"	SO1240
	H-551-A, Adjustable tailpiece, 3-1/16"	SO1245
23	H-540 1", Screwdriver stop repair kit	SO1250
	H-540 3/4", Screwdriver stop repair kit	SO1235

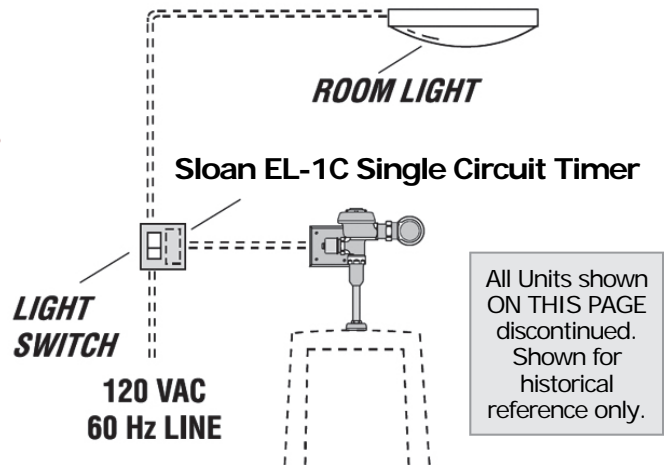
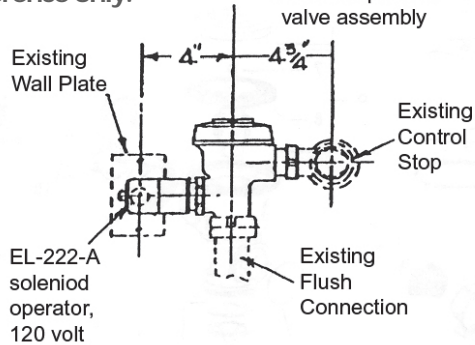
"Discontinued" Sloan Solenoid Flush Valves & Parts

The Old Style EL-1-A motor operators and repair parts are no longer available.

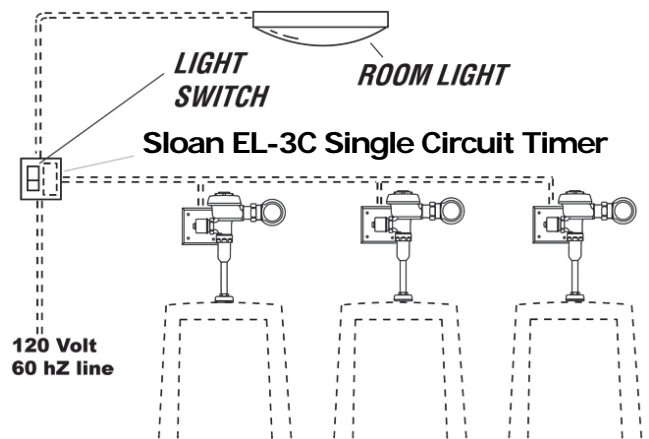
Please replace these obsolete units with New Battery or AC Powered, Automatic Sensing flush valves.



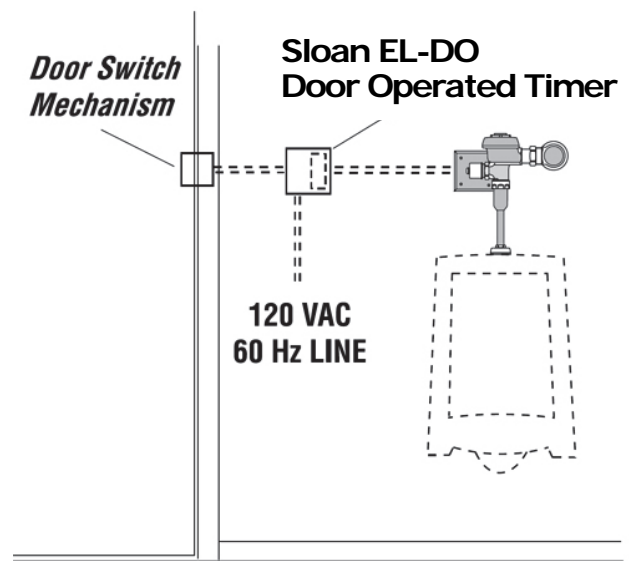
Shown for historical reference only.



All Units shown ON THIS PAGE discontinued. Shown for historical reference only.

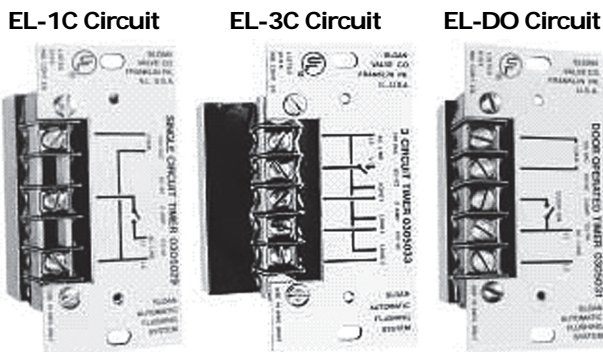


Shown for historical reference only.



NO Longer Made - Replace Unit	Order No.
EL-222-A, valve-mount solenoid operator, 120 VAC	—
EL-1C, One-circuit timer	SN1020
EL-3C, Three-circuit timer	SN1025
EL-DO, Door operated timer	SN1030
*791 replacement valve, services 1 urinal	SN1200
*792 replacement valve, services 2 urinals	SN1210
*793 replacement valve, services 3 urinals	SN1220

*Valves have O-Ring style adjustable tailpieces.

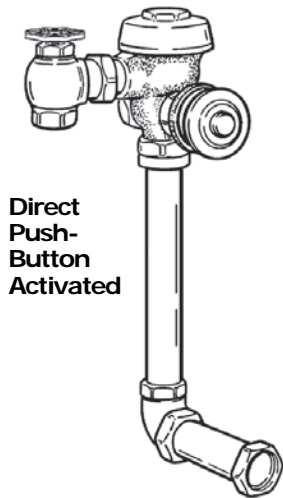


Shown for historical reference only.

Sloan Hydraulic & Push Button Flush Valves

Select the Push-Button Operation Style You Need!

Series 600



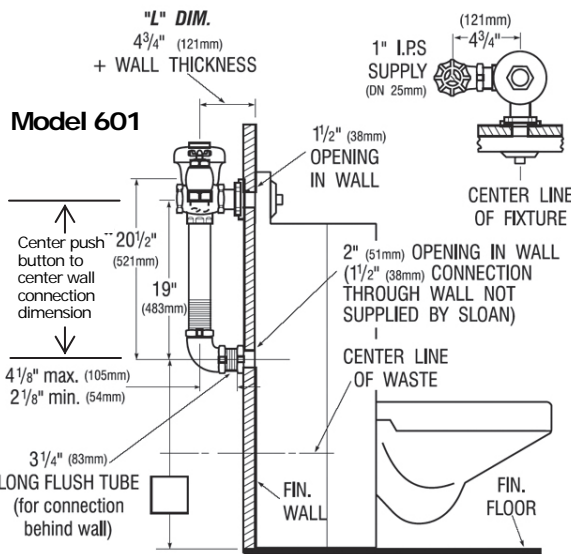
- Dual Filtered By-Pass Diaphragm, Handle Packing, Stop Seat and Vacuum Breaker to be molded from PERMEX™ rubber compound for Chloramine Resistance
- Metal Non-Hold-Open Push Button with a Triple Seal Handle Packing
- 1" I.P.S. Wheel Handle Bak-Chek™ Angle Stop
- Adjustable Tailpiece
- Elbow Flush Connection and Coupling for 1-1/2" NPT Back Inlet (for connection in the pipe chase - flush connection through the wall not provided by Sloan)
- Sweat Solder Adapter
- SPECIFY WALL THICKNESS WHEN ORDERING

Series 900

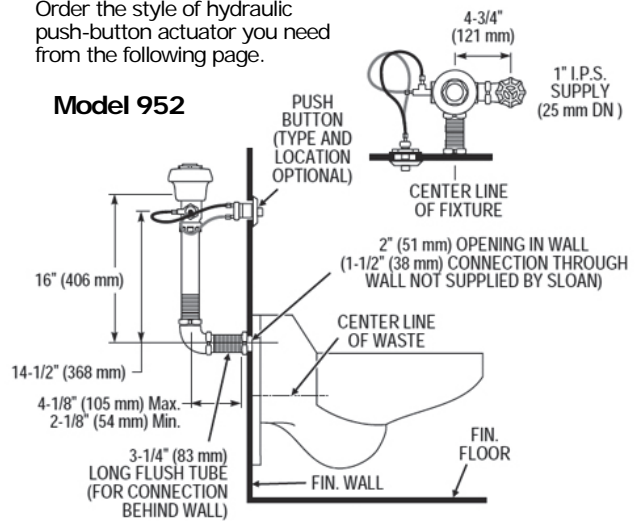


- Dual Filtered By-Pass Diaphragm valve for long-lasting durability.
- Metal Non-Hold-Open Push Button with a Triple Seal Handle Packing
- 1" I.P.S. Wheel Handle Bak-Chek™ Angle Stop
- Adjustable Tailpiece
- Elbow Flush Connection and Coupling for connection in the pipe chase (flush connection through the wall not provided by Sloan)
- Sweat Solder Adapter, and Exposed parts are Chrome Plated
- Premium vacuum breaker

Order the style of hydraulic push-button actuator you need from the following page.



Model 952



Complete Standard Prison Flush Valves	Order No.
For Combination Fixtures	
Model 601-1.6, Concealed back 1 1/2" inlet, 19" from center push button to center wall connection, 1.6 gpf	SN3000
Model 603-1.6, Concealed back 1 1/2" inlet, 14 1/2" from center push button to center wall connection, 1.6 gpf	SN3005
For Toilet Fixtures	
Model 611-1.6, Concealed back 1 1/2" inlet, 22 1/2" from center push button to center wall connection, 1.6 gpf	SN3015
For Urinal Fixtures	
Model 609-1.6, Concealed back 1 1/2" inlet, 13" from center push button to center wall connection, 1.6 gpf	SN3010
Model 613-1.6, Concealed back 3/4" inlet, 12" from center push button to center wall connection, 1.6 gpf	SN3020

Hydraulic Flush Valves	Order No.
Push button actuators <u>not</u> included - See next page.	
Exposed Valve, for Toilets	
910-1.6, 1 1/2" Top spud, 1" supply stop, 1.6 gal per flush	SN3100
Behind Wall Concealed Valve, for Toilets	
940-1.6, 1 1/2" exposed back spud, 1" supply stop, 1.6 gpf	SN3105
950-1.6, no flush connection, 1" female pipe union outlet	SN3110
952-1.6, 1 1/2" concealed back spud, 1" supply stop, 1.6 gpf	SN3115
953-1.6, 1 1/2" Top spud, 1" supply stop, 1.6 gpf	SN3120
Exposed Valve, for Urinals	
980-1.0, 1 1/4" Top spud, 1" supply stop, 1 gal per flush	SN3125
986-1.0, 3/4" Top spud, 3/4" supply stop, 1 gal per flush	SN3130
Behind Wall Concealed Valve, for Urinals	
990-1.6, 1 1/4" concealed back spud, 1" supply stop, 1 gpf	SN3135
990-1.6, 1 1/4" Top spud, 1" supply stop, 1 gal per flush	SN3140
995-1.6, 3/4" concealed back spud, 3/4" supply stop, 1 gpf	SN3145
997-1.6, 3/4" Top spud, 3/4" supply stop, 1 gal per flush	SN3150

Sloan Hydraulic Push Button Actuators

Hydraulic Push-Button Operation Actuators

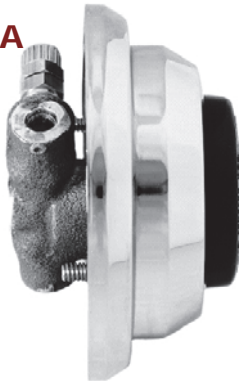
Model HY-33-A Fixture Wall Push Button (PB) Assembly for use with Sloan Series 900 Hydraulic Flushometer. Recommended for installation where access behind the wall is available. Also for use with Sloan Easy Access™ Wall Box.

HY-33-A



- Specifications:**
- ADA Compliant Non-Hold-Open feature type Actuator
 - Large diameter, Spring Loaded Button
 - Wall Clamp and Threaded Rod for through the wall installation (for walls up to 8" (200 mm) thick) - Spacer provided for walls less than 2" (50 mm) thick
 - Mounting fasteners for installation on Sloan Easy Access Wall Box
 - Two 36" (914 mm) long flexible tubing for connection to Sloan Series 900 Hydraulic Flushometer

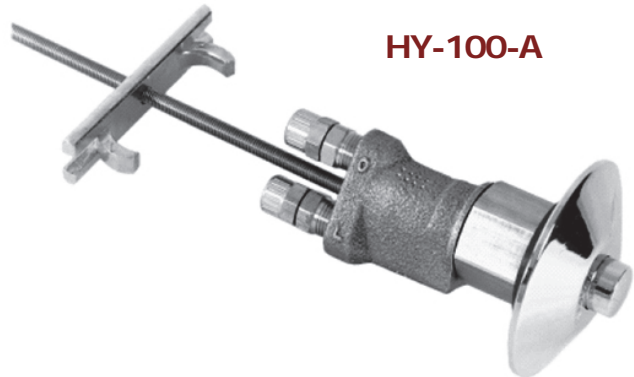
HY-49-A



Model HY-49-A Metal Partition Push Button (PB) Assembly for use with Sloan Series 900 Hydraulic Flushometer. Recommended for installation on 1" (25 mm) metal toilet stall partition.

- Specifications:**
- ADA Compliant Non-Hold-Open feature type Actuator
 - Large diameter, Spring Loaded Button
 - Mounting fasteners for installation on 1" (25 mm) thick metal toilet stall partition
 - Two 36" (914 mm) long flexible tubing for connection to Sloan Series 900 Hydraulic Flushometer

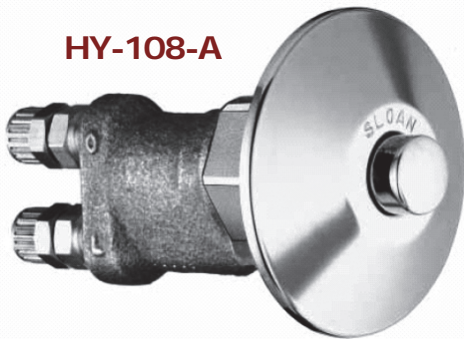
Model HY-100-A Metal Button Fixture Wall Push Button (PB) Assembly for use with Sloan Series 900 Hydraulic Flushometer. Recommended for installation on Stainless Steel Prison Fixtures and other locations where extreme vandalism is a concern. Requires access behind the wall for installation and servicing.



HY-100-A

- Specifications:**
- ADA Compliant Non-Hold-Open feature type Actuator
 - Spring Loaded, Metal Button
 - Wall Clamp and Threaded Rod for through the wall installation (for walls up to 8" (200 mm) thick) - Spacer provided for walls less than 2" (50 mm) thick
 - Two 36" (914 mm) long flexible tubing for connection to Sloan Series 900 Hydraulic Flushometer

HY-108-A



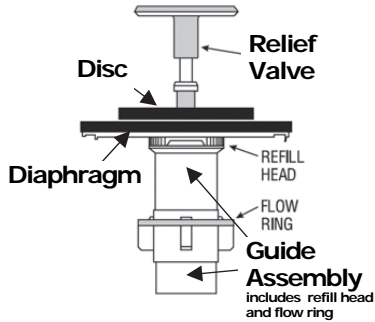
Model HY-108-A Metal Button Panel Mount Push Button (PB) Assembly for use with Sloan Series 900 Hydraulic Flushometer. Recommended for installation on Handicap and similar Stainless Steel Prison Fixtures where a front access panel is provided. Also for use with Sloan Easy Access™ Wall Box when used in locations where extreme vandalism is a concern. Requires access for installation and servicing.

- Specifications:**
- ADA Compliant Non-Hold-Open feature type Actuator
 - Spring Loaded, Metal Button
 - Two 36" (914 mm) long flexible tubing for connection to Sloan Series 900 Hydraulic Flushometer.

Model No.	Actuator Description	Order No.
HY-33-A	Fixture wall push-button assembly	SN4000
HY-49-A	Metal partition push button assembly	SN4005
HY-100-A	Metal button, fixture wall PB assembly	SN4015
HY-108-A	Metal button, panel mount PB assembly	SN4020

Sloan Hydraulic Flush Valve Repair Parts

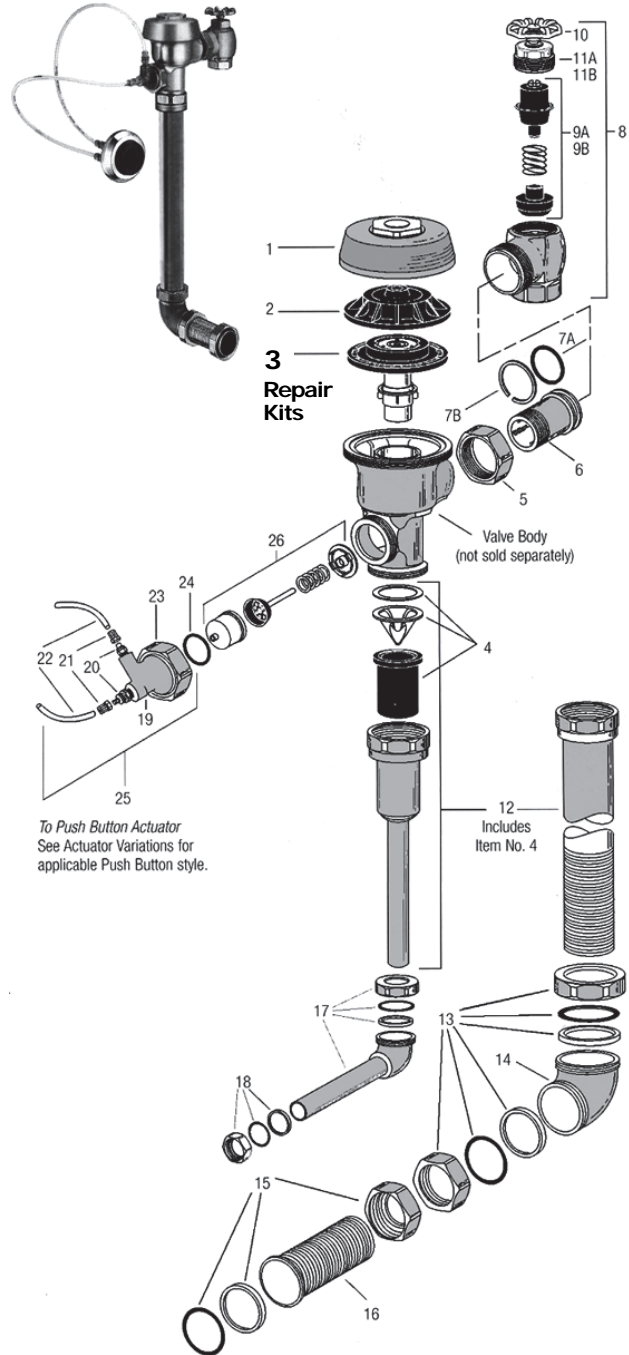
Individual Valve Repair Parts



Description	Order No.
Relief valve for standard toilet. A-19-AC	SO1020
Relief valve for standard urinal. A-19-AU	SO1025
Relief valve for low-consumption valves with "LC" stamped on cover. A-19-ALCM	SO1026
Disc on top of diaphragm. A-15-A	SO1015
Diaphragm only, Single-Filtered, A-156-A	SO1065
Diaphragm Kit, includes diaphragm, disc, handle seal and handle gasket. A-156-AA	SO1070
Guide Assembly	SO1075
Valve Kits include all the appropriate parts shown above pre-assembled for easy installation	See No. 3 Below

Valve Repair Kits and Other Parts

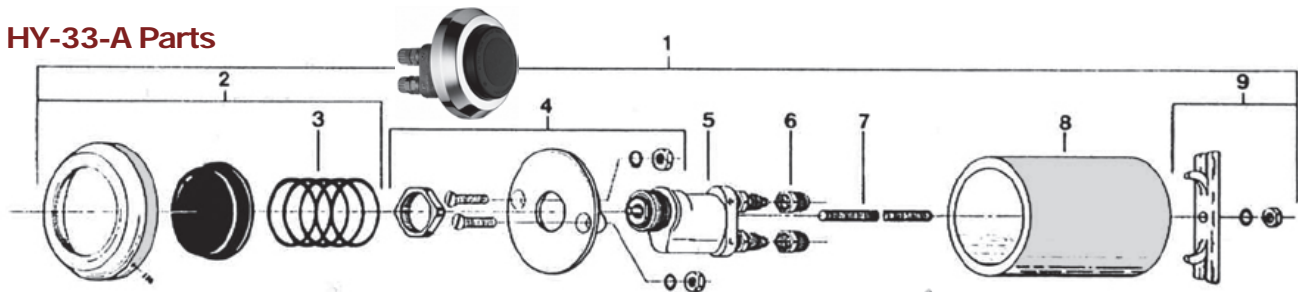
Item	Description	Order No.
1	A-72, Outside cover	SO1060
2	A-71, Inside cover	SO1055
3	A-1041-A, Valve Kit for Toilets, 1.6 gpf	SO1076B
	A-1038-A, Valve Kit for Toilets, 3.5 gpf	SO1076A
	A-1043-A, Valve Kit for Urinals, 0.5 gpf	SO1076D
	A-1042-A, Valve Kit for Urinals, 1.0 gpf	SO1076C
	A-1037-A, Valve Kit for Urinals, 1.5 gpf	SO1076
4	V-651-A, vacuum breaker repair kit	SO1386
5	H-550, brass tailpiece coupling	SO1237
6	H-551-A, brass adjustable tailpiece, 2-1/16"	SO1240
7A	H-553, O-Ring	SO1260
7B	H-552, Locking ring	SO1253
8	H-730-A, Wheel handle control stop	SO1293
9A	H-541-A, 1" pipe size repair kit for H-730-A	SO1294J
9B	H-543-A, 3/4" repair kit for H-730-A	SO1294K
10	H-558-A, wheel handle only	SO1260X
11A	H-623, 1" pipe size brass bonnet	SO1261
11B	H-623, 3/4" pipe size brass bonnet	SO1274
12	Vacuum breakers (specify size & length)	
13	F-2-AA, includes all parts indicated	SO1161



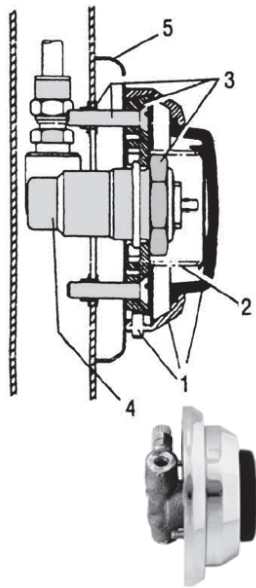
Item	More Parts	Order No.
14	F-21, brass elbow	SO1210J
15	F-2A, parts as indicated (1-1/2" size)	SO1160
16	F-100, brass flared end -- specify length	
17	F-15-A, as indicated for 3/4" pipe -- specify length	
18	F-2-A, parts as indicated (3/4" size)	SO1145
19	HY-25, valve actuator housing only	SO3010
20	HY-24, tube fitting (2 each required)	SO3005
21	HY-35, tube fitting nut (2 each required)	SO3025
22	HY-30, 1/4" x 48" tubes (2 ea. required)	HY-30
23	A-6, actuator housing coupling nut only	SO1010
24	DO-22, O-Ring	SO1110B
25	HY-109-A, Actuator Housing Assembly	SO3040
26	HY-83-A, Actuator cartridge assembly	SO3030

Hydraulic Push Button Actuator Repair Parts

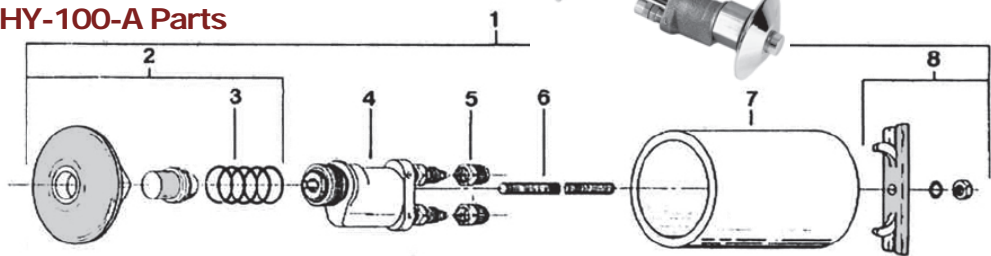
HY-33-A Parts



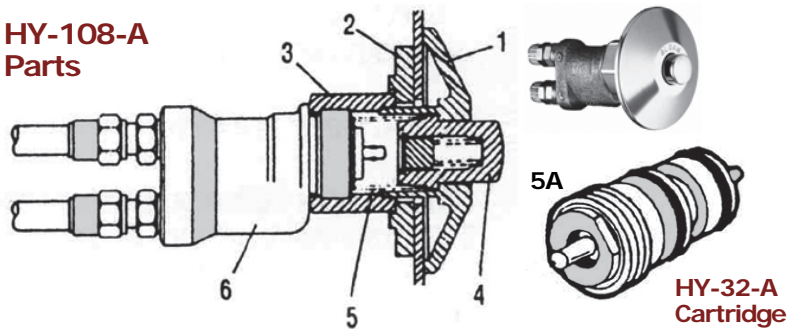
HY-49-A Parts



HY-100-A Parts



HY-108-A Parts



HY-32-A Cartridge

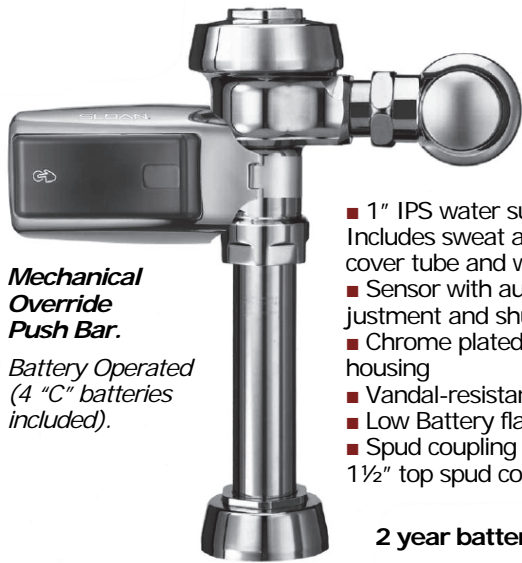
Part No.	Parts Description	Order No.
HY-33-A Repair Parts		
1	HY-33-A Fixture Wall Push Button Assembly	SN4000
2	HY-1000-A Push Button Kit	SO3050
3	HY-3 Spring	SO3000
4	HY-1001-A Mounting Flange Kit	SO3055
5	HY-50-A Actuator Assembly	SO3028
6	HY-35 Tube Fitting Nut (2 required)	SO3025
7	HY-29 Threaded Rod	SO3015
8	HY-105 Spacer	SO3035
9	HY-1002-A Mounting Strap Kit	SO3060
HY-49-A Repair Parts		
1	HY-1000-A Push Button Kit - includes Push Button, Flange, Spring & Set Screw	SO3050
2	HY-3 Spring	SO3000
3	HY-1003-A Mounting Flange Kit - includes Mounting Flange, Mounting Nut, Screws (2) & Tinnerman Nuts (2)	SO3065
*	HY-32-A Push button cartridge only	SO3020
4	HY-71-A Actuator Assembly (includes HY-32-A cartridge assembly)	N/A
5	HY-46 Mounting Flange	N/A

Part No.	Parts Description	Order No.
HY-100-A Repair Parts		
1	HY-100-A Fixture Wall Metal Button Assembly	SN4015
2	HY-111-A Metal Button Kit	SO3045
3	EL-109 Spring	N/A
4	HY-50-A Actuator Assembly	SO3028
5	HY-35 Tube Fitting Nut (2 required)	SO3025
6	HY-29 Threaded Rod	SO3015
7	HY-105 Spacer	SO3035
8	HY-1002-A Mounting Strap Kit	SO3060
HY-108-A Repair Parts		
1	HY-91 Flange	N/A
2	HY-94 Mounting Washer	N/A
3	HY-93 Mounting Nut	N/A
4	HY-86-A Push Button Assembly	N/A
5	EL-109 Spring	N/A
5A	HY-32-A Push button cartridge only	SO3020
6	HY-50-A Actuator Assembly (includes HY-32-A cartridge assembly)	SN4010

Sloan Automatic Flush Valves for Toilets & Urinals

SMOOTH Flush Valves for Toilets

SMOOTH Flush Valves for Urinals



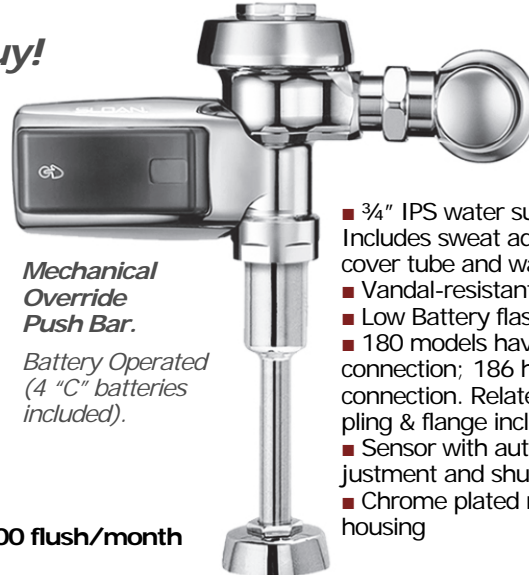
Mechanical Override Push Bar.

Battery Operated (4 "C" batteries included).

- 1" IPS water supply
- Includes sweat adapter with cover tube and wall flange
- Sensor with auto range adjustment and shutoff
- Chrome plated metal sensor housing
- Vandal-resistant stop cap
- Low Battery flashing LED
- Spud coupling and flange for 1½" top spud connection.

2 year battery power @ 4,000 flush/month

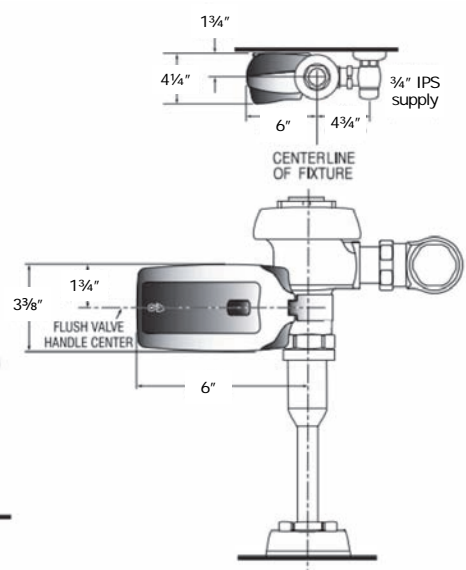
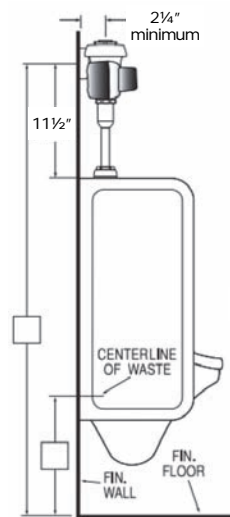
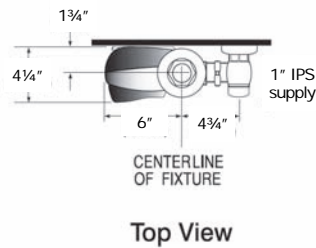
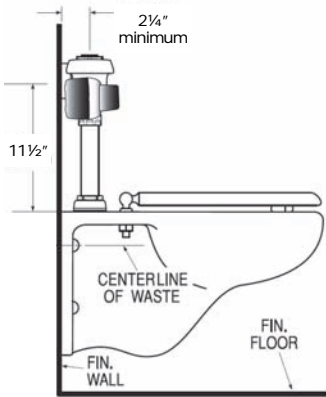
Best Buy!



Mechanical Override Push Bar.

Battery Operated (4 "C" batteries included).

- ¾" IPS water supply
- Includes sweat adapter with cover tube and wall flange
- Vandal-resistant stop cap
- Low Battery flashing LED
- 180 models have 1¼" spud connection; 186 have ¾" spud connection. Related spud coupling & flange included.
- Sensor with auto range adjustment and shutoff
- Chrome plated metal sensor housing



Description: Battery powered TOILET valves	Order No.
Sloan Royal SMOOTH Toilet Flush Valves	
110 SMOOTH , Centerline of supply 11.5" above top of fixture, 3.5 gallons per flush, 1½" top connection	SN1004A
111 SMOOTH same as 110, but 1.6 gallons per flush for low consumption toilets, 1½" top connection	SN1005K
111-1.28 SMOOTH , same as 110, but 1.28 GPF for low consumption toilets, 1½" top connection	SN1005N
115 SMOOTH , Centerline of supply 24" above top of fixture, 3.5 gallons per flush, 1½" top connection	SN1007E
115-1.6 SMOOTH , same as 115, but 1.6 GPF for low consumption toilet, 1½" top connection	SN1007F

Description: Battery powered URINAL valves	Order No.
Sloan Royal SMOOTH Urinal Flush Valves	
180 SMOOTH , Centerline of supply 11.5" above fixture, 3.5 GPF, 1¼" top mounted urinals	SN1007X
180-1 SMOOTH , same as 180 but 1.0 gallons per flush, for 1¼" top mounted urinals	SN1008C
186 SMOOTH , Centerline of supply 11.5" above fixture, 1.5 gallons per flush, ¾" top mounted urinals	SN1009T
186-1 SMOOTH , same as 186 but 1.0 gallons per flush, ¾" top mounted urinals	SN1009V
186-0.5 SMOOTH , same as 186 but 0.5 gallons per flush, for ¾" top mounted urinals	SN1009X
186-0.25 SMOOTH , same as 186, but 0.25 gallons per flush for ¾" top mounted urinals	SN1009Y
186-0.125 SMOOTH , same as 186, but 0.125 gallons per flush for ¾" top mounted urinals	SN1009Z

Replacement SMOOTH Operator

- Automatic Range Adjustment
- Push Bar Manual Flush Handle
- Four (4) Size C Batteries included
- "Low Battery" Flashing LED
- "User in View" Flashing LED
- Installation requires only a standard screwdriver.
- 25 to 80 psi Operating Range

