

Part No: 1413-131

Inserts

Elbow

Desc: 1X3/4 PVC RED 90 ELL INSERTXMPT

MSRP: 5.67

Part Code: 140

Weight(lbs): 0.066

Weight(kg): 0.03

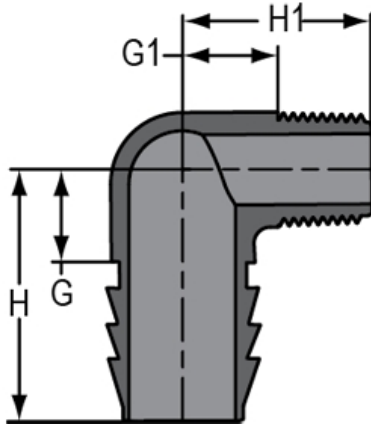
Weight(gm): 30

Size: 1"X3/4"

Color: GRAY

Material: PVC

Connection Insert x Mipt
Type Reduction



G = 11/16

G1 = 23/32

H = 2- 5/32

H1 = 1-13/32

Injection Molded Dimension References:

G = (LAYING LENGTH) intersection of center lines to bottom of socket/thread; 90° elbows, tees, crosses; ± 1/32 inch.

H = Intersection of center lines to face of fitting; 90° elbows tees, crosses; ± 1/32 inch.

J = Intersection of center lines to bottom of socket/thread; 45° elbows; ± 1/32 inch

L = Overall length of fittings; ± 1/16 inch.

M = Outside diameter of socket/thread hub; ± 1/16 inch.

N = Socket bottom to socket bottom; couplings; ± 1/16 inch.

W = Height of cap; ± 1/16 inch

Typical Molded Dimension References

