

1393202

PRINCETON PRO

PRINCETON® PRO STEEL 60 X 30-INCH
ABOVE FLOOR ROUGH INTEGRAL
APRON BATHTUB WITH RIGHT-HAND
OUTLET

*American
Standard*

STANDARD SPECIFICATION:

- Durable enameled steel construction
- Easy-to-clean glossy porcelain surface that's UV stable & stain resistant
- Full Stansure slip-resistant floor surface
- 9.5" Soaking depth with Integral lumbar support & beveled headrest
- Integral 3-sided tile/water retention flange, with installation hardware included
- Easier installation with a pre-leveled tub bottom and no mortar required
- Use deep soak drain 1640305 for additional 2" of soaking depth
- Limited Lifetime Warranty



AVAILABLE FINISHES:

1393202.020

 White

CERTIFICATIONS:



- ADA
- CSA B45
- ASME A112.19.4

NOTE: Install this product according to the installation guide. ADA, CSA compliant when installed to the specific requirements of these regulations.

We reserve the right to make revisions without notice to product specifications. 03-03-2025

US
Tel: 1.855.815.0004

Canada
Tel: 855.836.9615

For the most current Specification Sheet, go to <https://www.americanstandard-us.com>.

For the most current Specification Sheet, go to <https://www.americanstandard.ca>.

PART OF LIXIL

1393202

PRINCETON PRO

PRINCETON® PRO STEEL 60 X 30-INCH ABOVE FLOOR ROUGH INTEGRAL APRON BATHTUB WITH RIGHT-HAND OUTLET



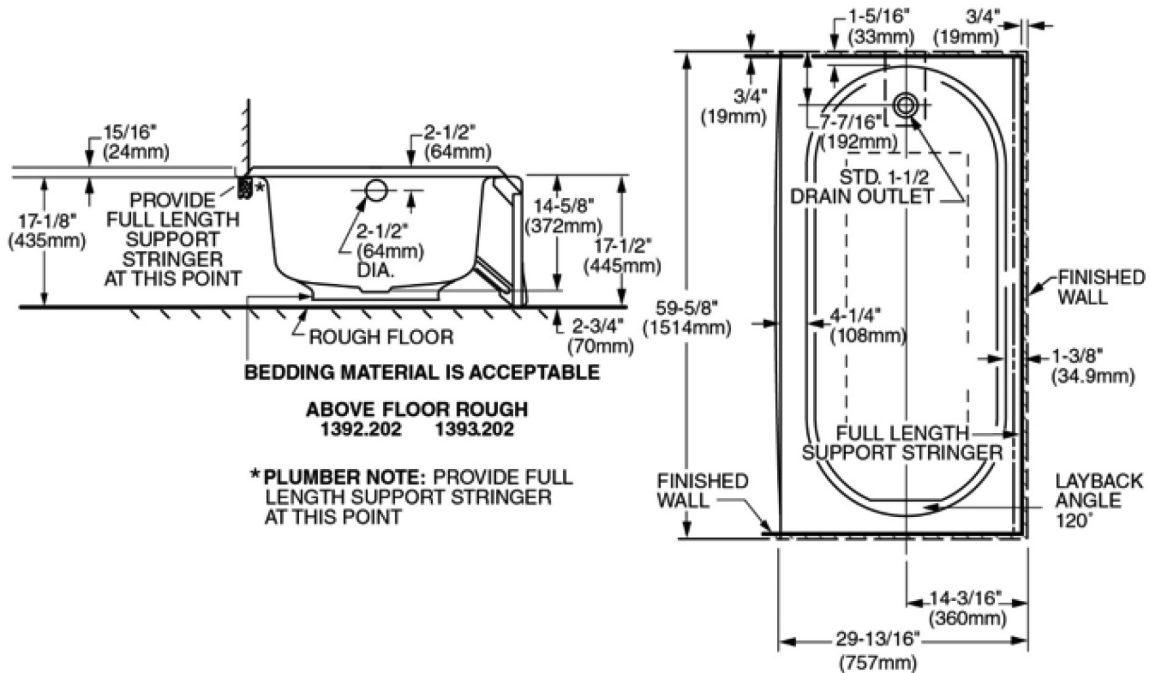
TECHNICAL DATA:

Product Height	17.5 in (444.5 mm)
Product Length	60 in (1524 mm)
Product Width	30 in (762 mm)
Product Weight	70.327 lb
Weight w/ Water	420 lb
Tub Water Capacity	42 gal (US)
Bathing Well Sump Length	42 in
Bathing Well Sump Width	19 in
Soaking Depth	9-1/2 in

PRODUCT COMPONENTS:

OPTIONAL PRODUCTS/ACCESSORIES:

1583470.002-UNIVERSAL DRAIN CHR
1583470.020-UNIVERSAL DRAIN WHT
1583470.295-UNIVERSAL DRAIN BN
1640305.002-DEEP SOAK BATH DRAIN CHR
1640305.020-DEEP SOAK BATH DRAIN WHT
1640305.295-DEEP SOAK BATH DRAIN BN
3961BWT60.020-PRINCETON PRO 60X30 DTS TILE BATH WALLS



**LEFT HAND TUB ILLUSTRATED
RIGHT HAND TUB IS REVERSED**

NOTE: Install this product according to the installation guide. ADA, CSA compliant when installed to the specific requirements of these regulations.

We reserve the right to make revisions without notice to product specifications. 03-03-2025

US

Tel: 1.855.815.0004

For the most current Specification Sheet,
go to <https://www.americanstandard-us.com>.

Canada

Tel: 855.836.9615

For the most current Specification Sheet,
go to <https://www.americanstandard.ca>.

PART OF **LIXIL**