

### Aspirations™

#### 37-Inch by 22-Inch Vanity Top Sink

- 1806008** Faucet holes on 8" (203mm) centers
- 1806001** Faucet holes - center hole only

- Rectangular vitreous china vanity top sink
- Design coordinates with Aspirations collection
- Front overflow
- Includes EverClean® antimicrobial surface
- Supplied with cutout template
- Top can be used with furniture by others

#### Bowl size:

21-3/4" (552 mm) wide  
12-5/8" (320 mm) front-to-back  
4-1/2" (115 mm) deep

#### Nominal Dimensions:

*Vanity Top Only:*  
37" x 22" (940 x 568 mm)

*Vanity Top with Furniture by Others:*  
37" x 22" x 35-1/8" Typical (940 x 568 x 892 mm)

#### Compliance Certifications - Meets or Exceeds the Following Specifications:

- ASME A112.19.2/CSA B 45.1

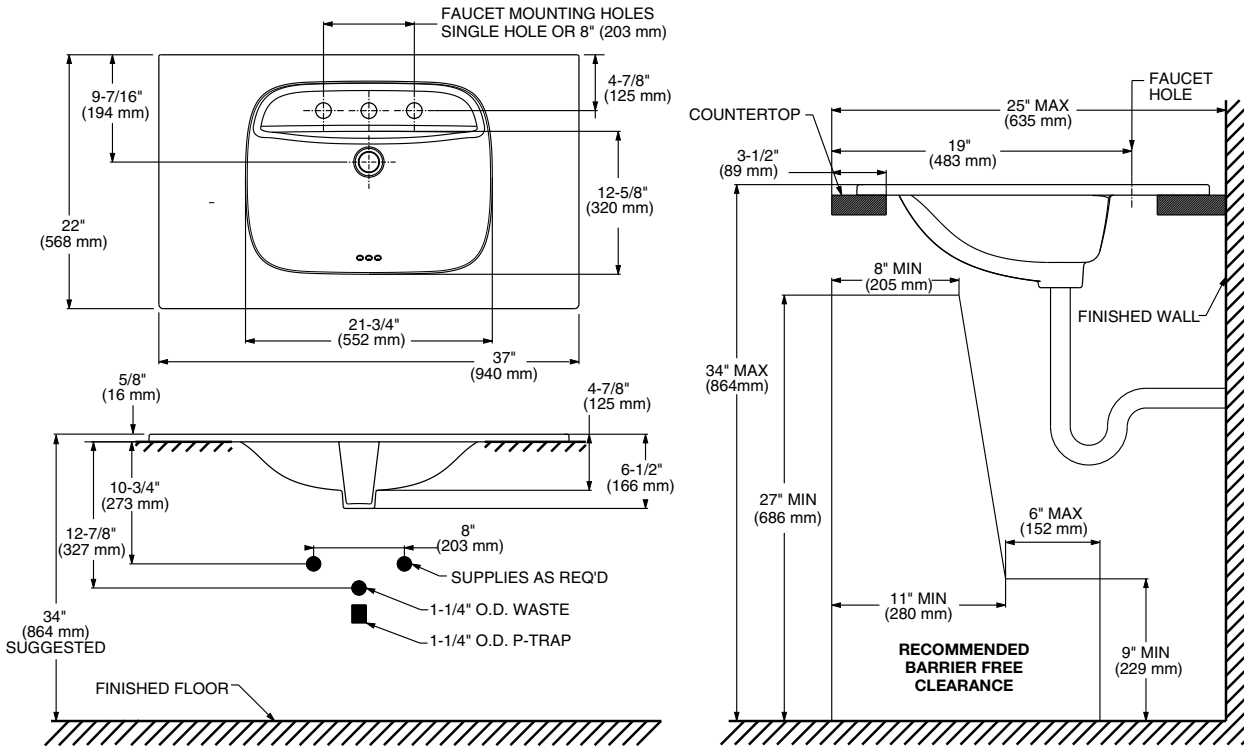
#### To Be Specified:

- Ceramic Color:  White
- Faucet, furniture, and drain by others
- Supplies:
- P-Trap Finish:  Chrome  Brushed Nickel

\* See faucet section for additional models available



SEE REVERSE FOR ROUGHING-IN DIMENSIONS

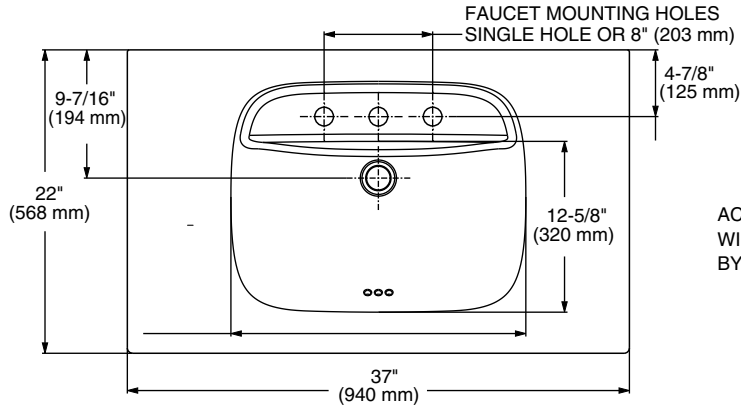


**MEETS THE AMERICANS WITH DISABILITIES ACT GUIDELINES AND ICC ANSI A117.1 ACCESSIBLE AND USABLE BUILDINGS AND FACILITIES - CHECK LOCAL CODES.**

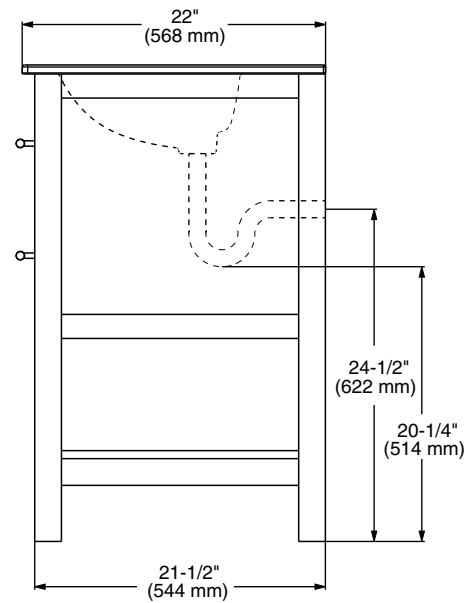
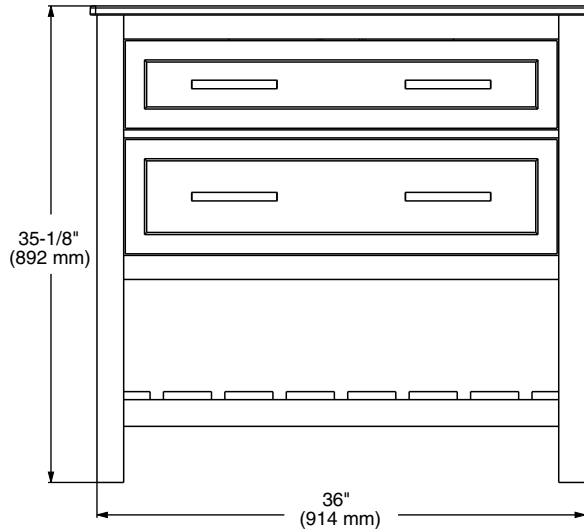
Install lavatory 864 mm (34") from finished floor.  
 Lavatory installed 89 mm (3-1/2") minimum from front edge of countertop provides 686mm (27") knee clearance area.

**NOTES:**  
 INSTALL PRODUCT ACCORDING TO THE INSTALLATION INSTRUCTIONS. COUNTERTOP MANUFACTURER OR CUTTER MUST USE CUTOUT TEMPLATE PROVIDED WITH PRODUCT OR A CURRENT ONE PROVIDED BY AMERICAN STANDARD. AMERICAN STANDARD IS NOT RESPONSIBLE FOR CUTOUT ERRORS WHEN THE INCORRECT TEMPLATE IS USED.  
 \* DIMENSIONS SHOWN FOR LOCATION OF SUPPLIED AND "P" TRAP ARE SUGGESTED. FITTINGS NOT INCLUDED WITH FIXTURE AND MUST BE ORDERED SEPARATELY. SEALING COMPOUND SUPPLIED BY OTHERS.

**IMPORTANT:** Dimensions of fixtures are nominal and may vary within the range of tolerances established by ANSI Standard A112.19.2. These measurements are subject to change or cancellation. No responsibility is assumed for use of superseded or voided pages.



ACTUAL FURNITURE RELATED DIMENSIONS WILL VARY ACCORDING TO THE FURNITURE BY OTHERS USED WITH VANITY TOP



**NOTES:**

INSTALL PRODUCT ACCORDING TO THE INSTALLATION INSTRUCTIONS. COUNTERTOP MANUFACTURER OR CUTTER MUST USE CUTOUT TEMPLATE PROVIDED WITH PRODUCT OR A CURRENT ONE PROVIDED BY AMERICAN STANDARD. AMERICAN STANDARD IS NOT RESPONSIBLE FOR CUTOUT ERRORS WHEN THE INCORRECT TEMPLATE IS USED. \* DIMENSIONS SHOWN FOR LOCATION OF SUPPLIED AND "P" TRAP ARE SUGGESTED. FITTINGS NOT INCLUDED WITH FIXTURE AND MUST BE ORDERED SEPARATELY. SEALING COMPOUND SUPPLIED BY OTHERS.

**IMPORTANT:** Dimensions of fixtures are nominal and may vary within the range of tolerances established by ANSI Standard A112.19.2. These measurements are subject to change or cancellation. No responsibility is assumed for use of superseded or voided pages.