

Colony® 3 Round Front 12" Rough Toilet

- ❑ **250DA.104**
 - Combination bowl and tank, less seat
 - High Efficiency Toilet (HET), ultra-low consumption (4.8 Lpf/1.28 gpf), utilizes 20% less water
 - Meets EPA WaterSense® criteria
 - PowerWash® rim scrubs bowl with each flush
 - 3" flush valve with 2" trapway for optimal flushing performance
 - 12" (305mm) rough-in
 - Generous 9" x 8" water surface area
 - Color matched trip lever is supplied
 - Limited lifetime warranty on chinaware, limited 2 year warranty on all mechanical parts and limited 1 year warranty on seat which is purchased separately



- ❑ **3437D.101** Round Front Bowl
- ❑ **4425A.104** Tank

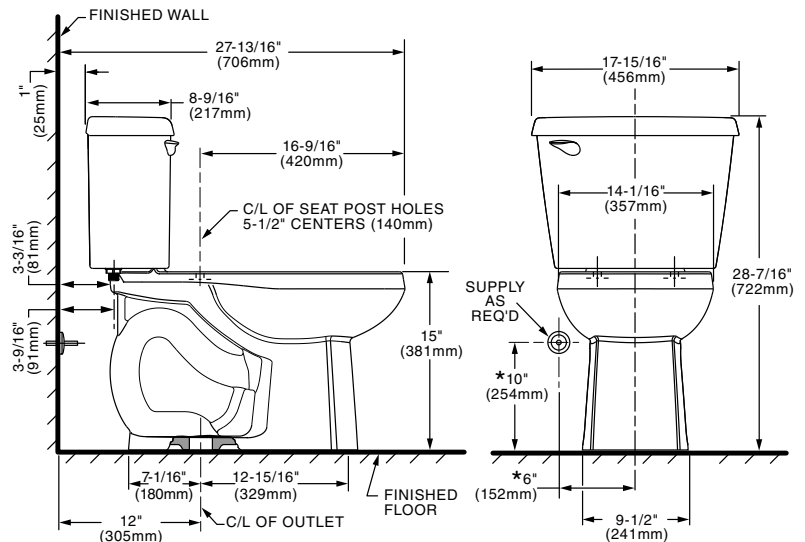
Nominal Dimensions:

27-13/16" x 17-15/16" x 28-7/16"
(706 x 456 x 722mm)

Fixture only. Toilet seat, wax ring and supply line are purchased separately.

Alternative Tank Configurations Available:

- ❑ **4425A.154** Tank complete with Aquaguard Liner
- ❑ **4425A.105** Tank complete with trip lever located on right side



Compliance Certifications -

Meets or Exceeds the Following Specifications:

- ASME A112.19.2/CSA B45.1 for Vitreous China Fixtures
- US EPA WaterSense® Specification for HETs

NOTES:

THIS TOILET IS DESIGNED TO ROUGH-IN AT A MINIMUM DIMENSION OF 305MM (12") FROM FINISHED WALL TO C/L OF OUTLET. SUPPLY NOT INCLUDED WITH FIXTURE AND MUST BE ORDERED SEPARATELY. * DIMENSION SHOWN FOR LOCATION OF SUPPLY IS SUGGESTED.

IMPORTANT: Dimensions of fixtures are nominal and may vary within the range of tolerances established by ANSI Standard A112.19.2. These measurements are subject to change or cancellation. No responsibility is assumed for use of superseded or voided pages.

To Be Specified:

- ❑ Color: White
- ❑ Seat: Recommend American Standard slow-close seat and cover such as model 5503B.00B
- ❑ Supply with stop:

