



BRIZO®

BATHROOM FAUCET

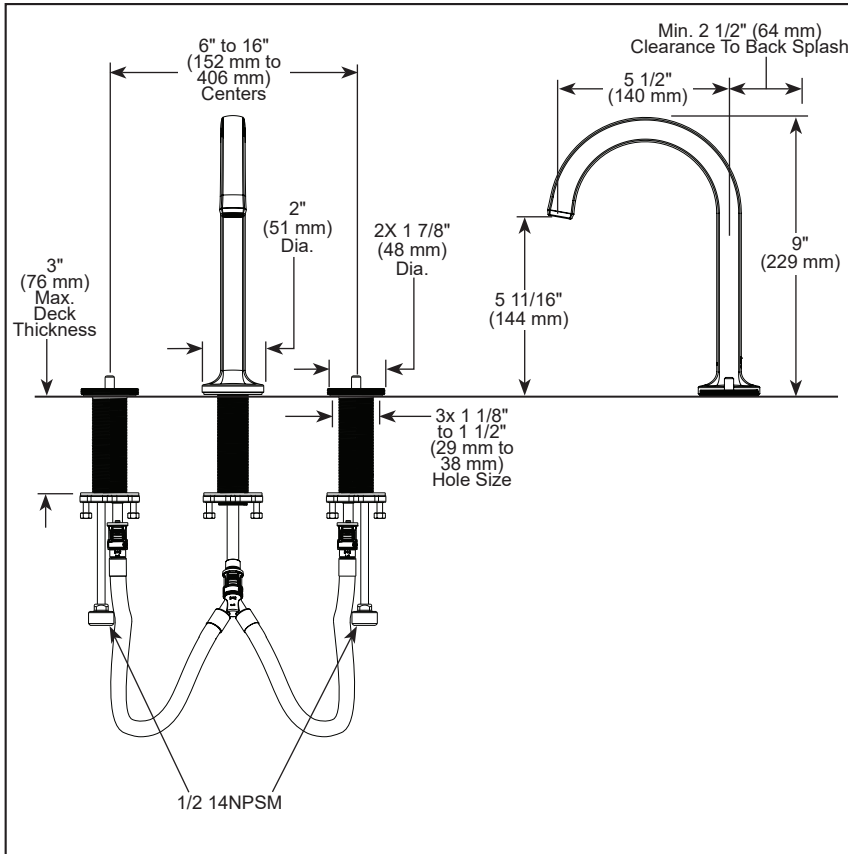
- Kintsu® Collection
- Two Handle Widespread Deck Mount

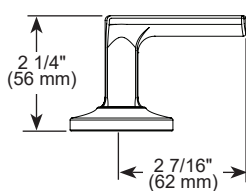
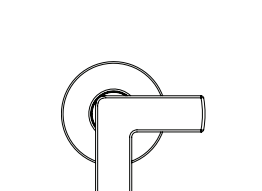
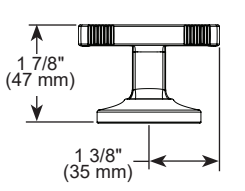
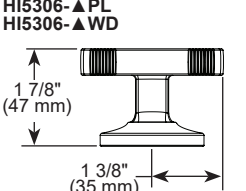
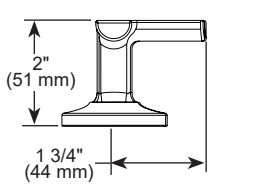
STANDARD SPECIFICATIONS:

- Max flow rate 1.5 gpm @ 60 psi, 5.7 L/min @ 414 kPa
- Max flow rate (ECO model only) 1.2 gpm @ 60 psi, 4.5 L/min @ 414 kPa
- Three hole mount
- Control mechanism is a rotating cylinder ceramic cartridge with 90° rotation
- 1/2-14 NPSM threaded inlets
- Solid brass fabricated end valve and spout bodies
- Spout features laminar water flow
- LHP - Less Handle Program. See handle options below
- Note: Optional red/blue temperature indicator rings, order RP101684

WARRANTY

- Parts and Finish - Lifetime limited warranty; or for commercial purchasers, 10 years for multi-family residential (apartments and condominiums) and 5 years for all other commercial uses, in each case from the date the product is received by the original purchaser or their authorized representative (installation contractor, etc.).
- Electronic Parts and Batteries (if applicable) - 5 years from the date the product is received by the original purchaser or their authorized representative (installation contractor, etc.); or for commercial purchasers, 1 year from the date the product is received by the original purchaser or their authorized representative (installation contractor, etc.). No warranty is provided on batteries.
- Please go to www.brizo.com for the complete details of our limited warranty.



<p>HL5306-▲ ♿</p>  <p>2 1/4" (56 mm) 2 7/16" (62 mm)</p>	<p>HX5306-▲ ♿</p> 	<p>HK5306-▲ ♿</p>  <p>1 7/8" (47 mm) 1 3/8" (35 mm)</p>
<p>HI5306-▲ ♿ HI5306-▲CT HI5306-▲PL HI5306-▲WD</p>  <p>1 7/8" (47 mm) 1 3/8" (35 mm)</p>	 <p>2" (51 mm) 1 3/4" (44 mm)</p>	

▲ Designate Proper Finish Suffix

COMPLIES WITH:

- ASME A112.18.1/ CSA B125.1
- EPA WaterSense® ♿ ICC/ANSI A117.1