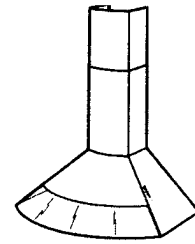


# BROAN *ELITE* RM65000 SERIES RANGE HOOD



**A wall-mounted chimney hood with a handcrafted design that blends curved and angular surfaces to form a stunning union of stainless steel and glass.**

### FEATURES

- Professional style design
- 430 Stainless Steel #4 brushed construction
- Wall-mount installation
- Seamless corners for easy cleaning
- Ducted telescopic flue—fits 8 ft. to 9 ft. (2.4 m to 2.7 m) ceilings
- 6" (152.4 mm) round vertical discharge
- 450 cfm (212.4 L/s) centrifugal blower
- Advanced multispeed electronic push-button control with 10-minute delay shut-off
- Two-level halogen lighting and a low nighttime setting (2 x 20 W, 12 V, Type MR16) (included)
- Dishwasher-safe aluminum filter features a quick-release latch and professional-style appearance
- Available size: 35<sup>7</sup>/<sub>8</sub>" (90 cm)

### OPTIONS

- Replacement grease filters available (Part no. B08087298)
- Extension flue (model RFX6504) for higher ceilings is also available

### TYPICAL SPECIFICATIONS

Range Hood shall be Broan Model Elite RM65000.

Motor to be permanently lubricated.

Unit shall have four-speed fan control with delay shut-off and separate light switch.

Unit shall have a flashing control light to indicate when it's time to clean the washable aluminum filters.

Sides shall be mitered and bottom edge hemmed—with no sharp edges.

Air delivery shall be no less than 450 cfm (212.4 L/s).

Unit shall be cULus listed.



HVI-2100 CERTIFIED RATINGS comply with new testing technologies and procedures prescribed by the Home Ventilating Institute, for off-the-shelf products, as they are available to consumers. Product performance is rated at 0.1 in. (2.54 mm) static pressure, based on tests conducted in AMCA's state-of-the-art test laboratory. Sones are a measure of humanly-perceived loudness, based on laboratory measurements.



Broan-NuTone LLC, 926 West State Street, Hartford, WI 53027 USA (1-800-637-1453)

Broan-NuTone Canada Inc., 1140 Tristar Drive, Mississauga, Ontario L5T 1H9 CANADA (1-888-882-7626)

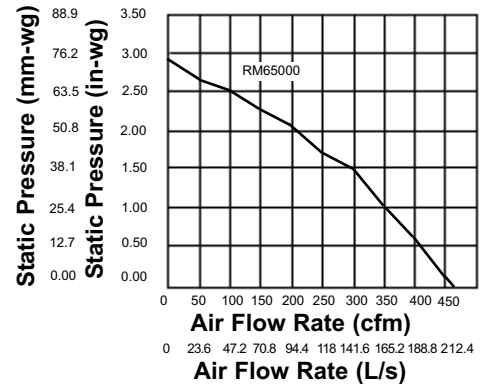
REFERENCE	QTY.	REMARKS	Project
			Location
			Architect
			Engineer
			Contractor
			Submitted by <span style="float: right;">Date</span>

# PERFORMANCE RATINGS

# BROAN ELITE RM65000 SERIES RANGE HOODS

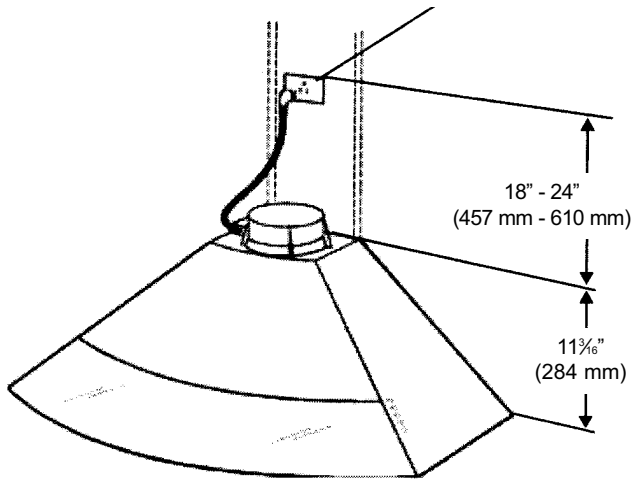
## SPECIFICATIONS

VOLTS	AMPS	CFM (L/s)	DUCT (mm)
120	3.13	450 (212)	6" (152 mm) Round

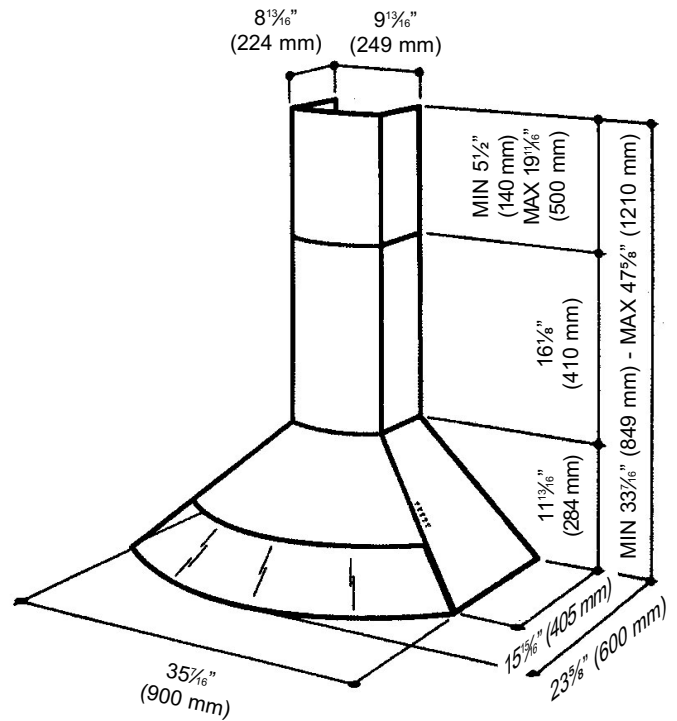


### RM65000 SERIES WIRING

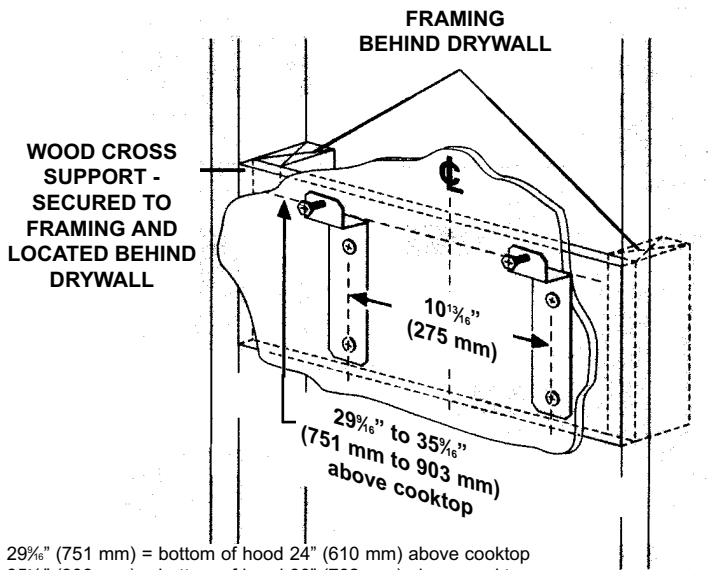
120 V, 60 Hz GROUNDED WALL  
OUTLET OFFSET FROM DUCT  
CENTER LINE (STAY WITHIN FLUE  
COVER DIMENSIONS)



### RM65000 DIMENSIONS



### RM65000 SERIES MOUNTING



Mount range hood so bottom of hood is 24" to 30" (610 mm to 762 mm) above cooking surface.

29 1/8" (751 mm) = bottom of hood 24" (610 mm) above cooktop  
35 1/8" (903 mm) = bottom of hood 30" (762 mm) above cooktop



HVI-2100 CERTIFIED RATINGS comply with new testing technologies and procedures prescribed by the Home Ventilating Institute, for off-the-shelf products, as they are available to consumers. Product performance is rated at 0.1 in. (2.54 mm) static pressure, based on tests conducted in AMCA's state-of-the-art test laboratory. Sones are a measure of humanly-perceived loudness, based on laboratory measurements.

