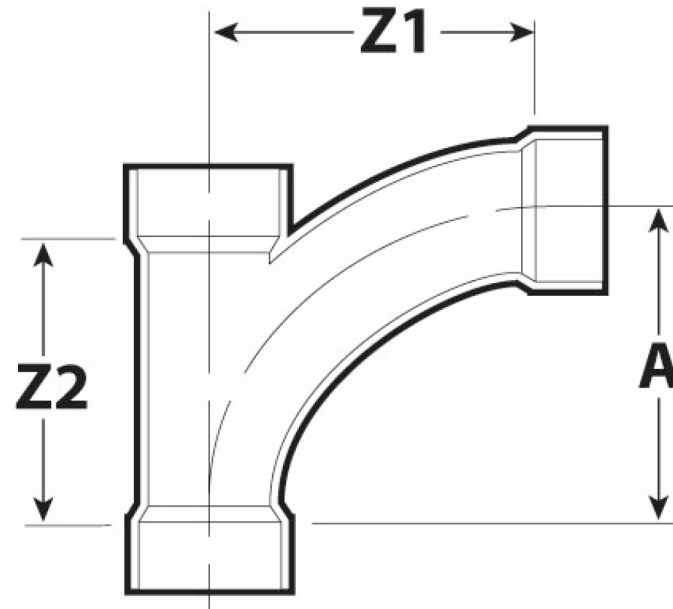


Submittal Sheet

Part Description:
3" X 3" X 3" ABS DWV Single Long Turn Tee Wye

Part Number:



Part UPC	Colour	Size (inches)	Ctn Qty	Ctn Bar Code	Ctn. Wt (Kgs)	Ctn. Wt (lbs)	Skid Cubic (m)	Skid Cubic (ft)	Ctns/Skid
662671108654	BLACK	3X3X3	10	10662671108651	8.30	18.26	1.79	63.37	24

Dimensions (inches)

A	Z1	Z2
7.41	7.53	6.43