



see what Delta can do™

INTEGRATED SHOWER DIVERTER TRIM

- Broderick™ Valve Trim with Three Function Diverter (T24884)
- Broderick™ Valve Trim with Six Function Diverter (T24984)

FEATURES:

- Monitor® 14 Series pressure balanced single function bath mixing valve trim
- Three or six function diverter
- Lumicoat™ Finish (brilliance finishes only) on model numbers with "PR"
- Lumicoat™ Finishes easily wipe clean without cleaners and chemicals on the products most commonly touched areas

STANDARD SPECIFICATIONS:

- Main control utilizes single-function pressure balanced cartridge.
- Maintains a balanced pressure of hot and cold water even when a valve is turned on or off elsewhere in the system.
- For use with MultiChoice® Universal rough valve body. (R22000 Series)
- Top handle controls diverter functions.
- Bottom handle controls on/off and temperature.
- Field adjustable to limit handle rotation into hot water zone.
- Bottom handle 120° Maximum rotation.
- Red/Blue indicator markings.
- Three function diverter for 2 individual positions, 1 shared position.
- For two individual functions, no shared functions, order additional RP71717.
- Six function diverter for 3 individual positions, 3 shared positions.
- For three individual functions, no shared functions, order additional RP71718.
- Cartridges included
- Standard installation allows up to 1 1/8" finished wall thickness.
- Thick wall installation kit (RP90542▲) can be ordered to allow for up to 2 1/8" finished wall thickness.
- Maximum system flow rate 5.0 gpm at 60 psi with R22000

WARRANTY

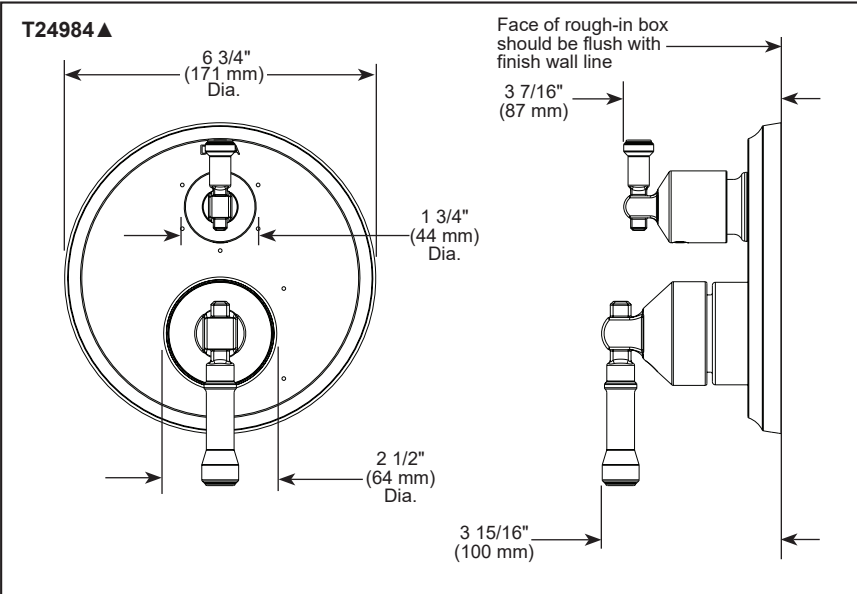
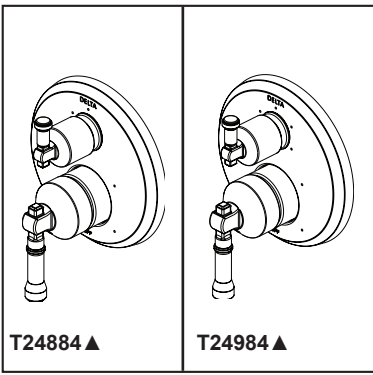
- Parts and Finish - Lifetime limited warranty; or for commercial purchasers, 10 years for multi-family residential (apartments and condominiums) and 5 years for all other commercial uses, in each case from the date the product is received by the original purchaser or their authorized representative (installation contractor, etc.).
- Electronic Parts and Batteries (if applicable) - 5 years from the date the product is received by the original purchaser or their authorized representative (installation contractor, etc.); or for commercial purchasers, 1 year from the date the product is received by the original purchaser or their authorized representative (installation contractor, etc.). No warranty is provided on batteries.

COMPLIES WITH:

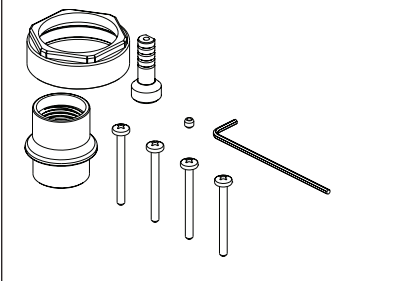
- ASME A112.18.1/ CSA B125.1
- ASSE 1016/ASME A112.1016/ CSA B125.16
- ♿ Indicates compliance to ICC/ANSI A117.1

Delta Faucet Company

55 E 111th Street, Indianapolis, Indiana 46280
350 South Edgeware Road, St. Thomas, ON N5P 4L1
© 2023 Delta Faucet Company



RP90542 Available Thick Wall Installation Kit



▲ Designate Proper Finish Suffix

Delta reserves the right (1) to make changes in specifications and materials, and (2) to change or discontinue models, both without notice or obligation. Dimensions are for reference only. See current full-line price book or www.deltafaucet.com for finish options and product availability.

DSP-B-T24884 Rev. A