

**ELKAY**

sinks + faucets

## Quartz Perfect Drain™ InSinkErator® Disposer Installation Instructions

in sink erator®

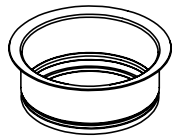
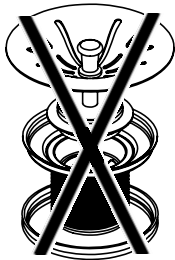
Elkay® Quartz Perfect Drain™ sinks are designed and approved for compatible disposers manufactured by InSinkErator® utilizing the Quick Lock® mounting configuration.

Use of non-approved disposers may void Elkay warranty.

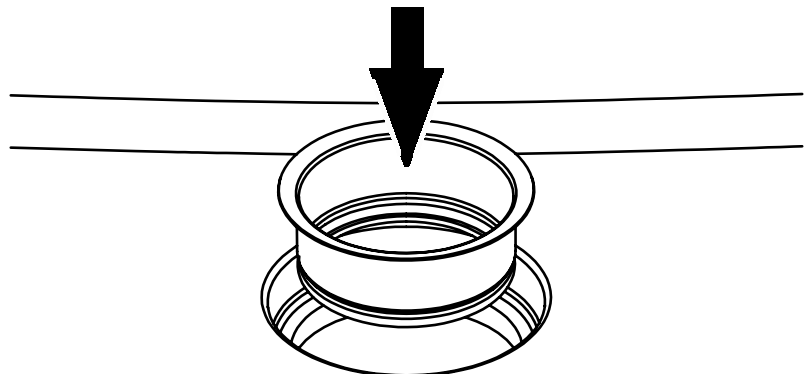
InSinkErator, Quick Lock and the mounting collar configuration are trademarks of Emerson Electric Co.



To install garbage disposer onto Elkay® Quartz Perfect Drain™ Sink:

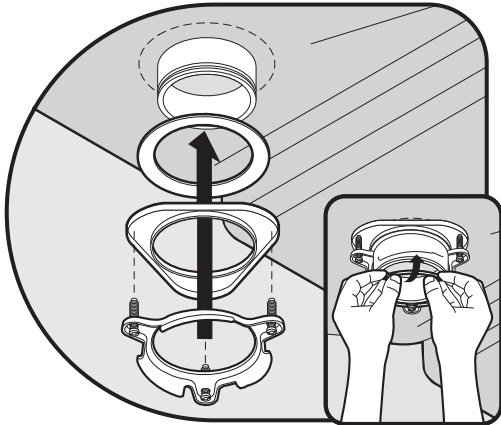


1. Disassemble LKPDQ1 drain assembly and remove the Flange component. Remaining components will not be used.
2. Apply non-staining plumbers putty to underside of the Flange and install the Flange into Quartz Perfect Drain™ Sink opening.



# Quartz Perfect Drain™ InSinkErator® Disposer Installation Instructions

3. Locate appropriate step in disposer installation guide (provided with garbage disposer) represented by image below:



(1)  
Sink  
Flange



(2)  
Fiber  
Gasket



(3)  
Backup  
Flange



(4)  
Mounting  
Ring

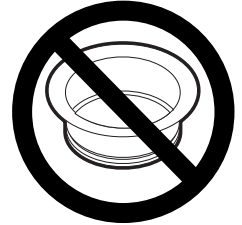


(5)  
Screws



(6)  
Snap  
Ring

4. Disassemble Quick Lock® mounting assembly components provided provided with disposer (1, 2, 3, 4, 5, 6). Sink Flange component (1) is not required.



5. Follow remaining installation steps as outlined in disposer installation guide, utilizing remaining components (2, 3, 4, 5, 6).

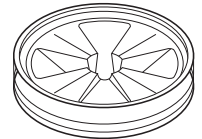
---

**WARNING!**

---

**OVER-TIGHTENING OF MOUNTING ASSEMBLY SCREWS (5) COULD CAUSE PERMANENT DAMAGE TO SINK. DO NOT USE POWER TOOLS TO TIGHTEN!**

6. Install Quiet Collar® Sink Baffle into Flange groove.



For further assistance, contact  
InSinkErator® Customer Service Line  
1.800.558.5700  
or visit [www.insinkerator.com](http://www.insinkerator.com)