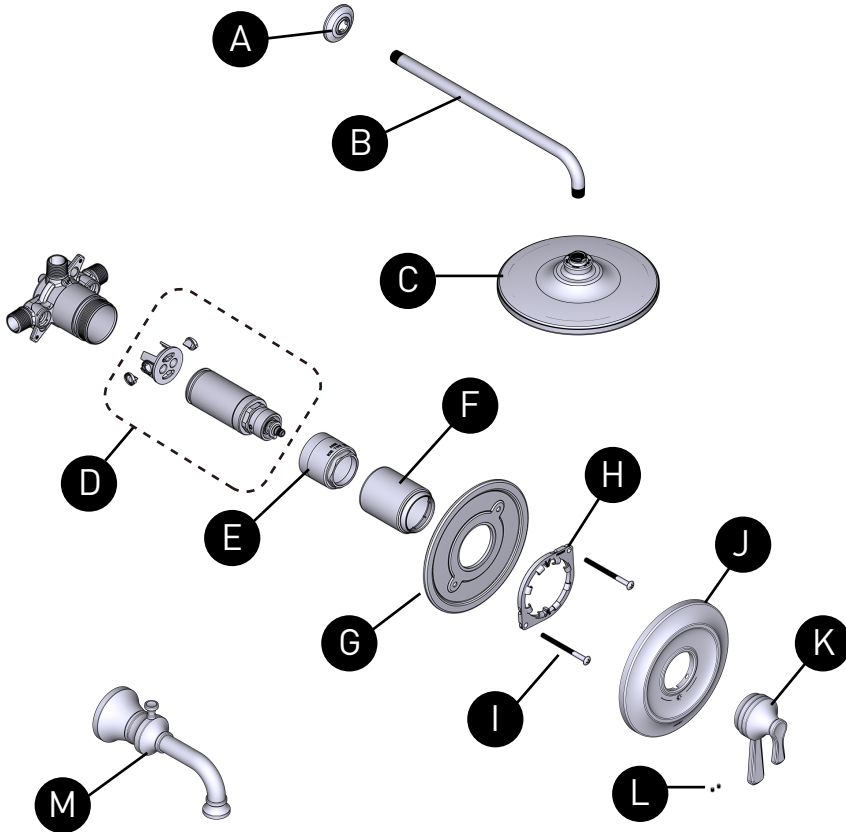


MOEN®

ORDER BY PART NUMBER

VALVE TRIM ONLY	SHOWER TRIM ONLY	TUB SHOWER TRIM	FINISH
UTS444301	UTS444302EP	UTS444303EP	Chrome
UTS444301BN	UTS444302EPBN	UTS444303EPBN	Brushed Nickel
UTS444301BG	UTS444302EPBG	UTS444303EPBG	Brushed Gold
UTS444301BL	UTS444302EPBL	UTS444303EPBL	Matte Black

EP=1.75 GPM HEAD



OPTIONAL: 1" Handle Extension Kit



MODEL	FINISH
213752	Chrome
213752BG	Brushed Gold
213752BN	Brushed Nickel
213752BL	Matte Black

Illustrated Parts COLINET™

Thermostatic M-CORE™ 4-Series Trim

ID	Kit Description	Kit Number	Finish
A	Shower Arm Flange	AT2199	Chrome
		AT2199BG	Brushed Gold
		AT2199BN	Brushed Nickel
		AT2199BL	Matte Black
B	Shower Arm	151380	Chrome
		151380BG	Brushed Gold
		151380BN	Brushed Nickel
		151380BL	Matte Black
C	Shower Head (1.75 GPM)	S112EP	Chrome
		S112EPBG	Brushed Gold
		S112EPBN	Brushed Nickel
		S112EPBL	Matte Black
D	Cartridge Assembly	1214	N/A
E	Cartridge Nut	213751	N/A
F	Sleeve	213779	Chrome
		213779BG	Brushed Gold
		213779BN	Brushed Nickel
		213779BL	Matte Black
G	Backing Plate	200766	N/A
H	Snap Ring	200772	N/A
I	Backing Plate Screws (2)	200764	N/A
J	Escutcheon Kit	213760	Chrome
		213760BG	Brushed Gold
		213760BN	Brushed Nickel
		213760BL	Matte Black
K	Handle Kit	213772	Chrome
		213772BG	Brushed Gold
		213772BN	Brushed Nickel
		213772BL	Matte Black
L	Set Screw (Requires 3/32" Hex Key)	207317	N/A
M	Tub Spout	S5000	Chrome
		S5000BG	Brushed Gold
		S5000BN	Brushed Nickel
		S5000BL	Matte Black