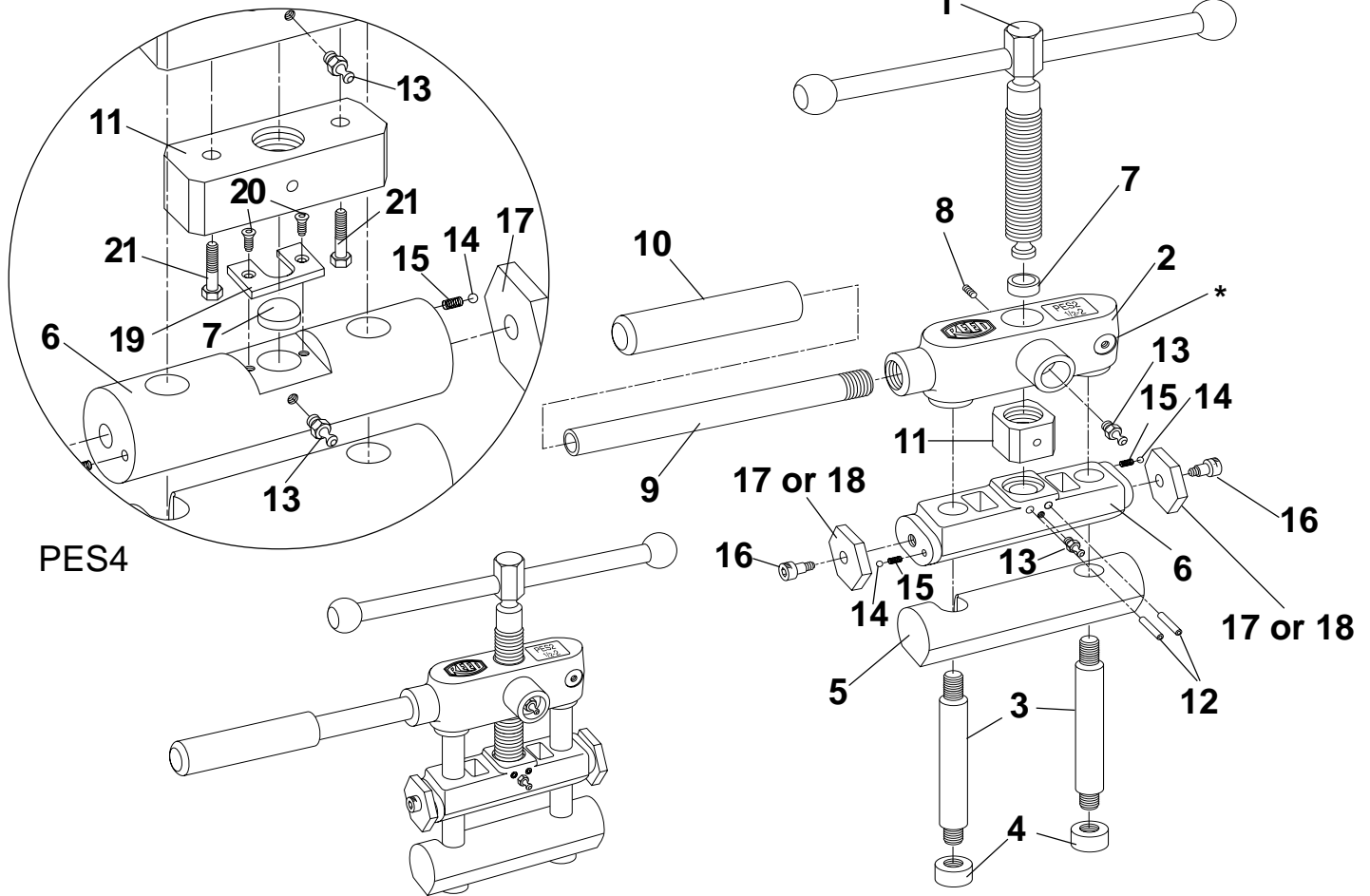




# PE Squeeze-Off Tools

## Replacement Parts



## Parts List

Ref. No.	Description	#Used	PES2-IPS #04302 Item Code	PES2-CTS #04304 Item Code	PES4-IPS #04306 Item Code
1	Feed Screw Assembly	1	98073	98073	98099
2	Head	1	98075	98075	98090
3	Tie Rod	2	98082	98082	98093
4	Tie Rod Nut	2	98074	98074	98096
5	Bottom Bar	1	98077	98077	98092
6	Top Bar	1	98076	98076	98091
7	Thrust Cap	1	98057	98057	98097
8	Set Screw	1	30019	30019	30019
9	Handle	1	98045	98045	98045
10	Handle Grip	1	40070	40070	40070
11	Threaded Insert	1	98072	98072	98098
12	Retaining Pin	2	93437	93437	NA
13	Grease Fitting	2	40338	40338	40038
14	Ball Detent	2	93447	93447	93447
15	Spring	2	93440	93440	93440
16	Shoulder Screw	2	30194	30194	30300
17	I.P.S. Stop	2	98079	NA	98094
18	C.T.S. Stop	2	NA	98078	NA
19	Screw Retainer	1	NA	NA	98100
20	Retainer Screws	2	NA	NA	30004
21	Threaded Insert Bolts	2	NA	NA	30034

\* If desired, attach grounding accessory into this location.

