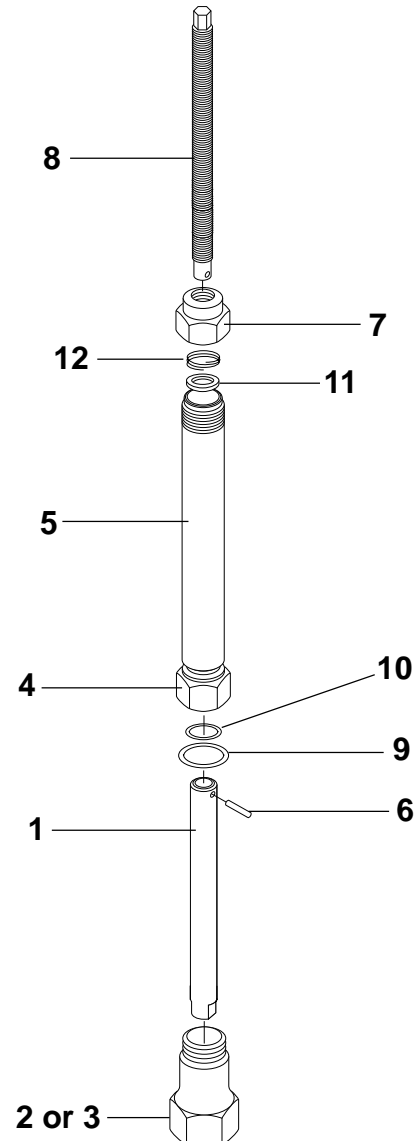
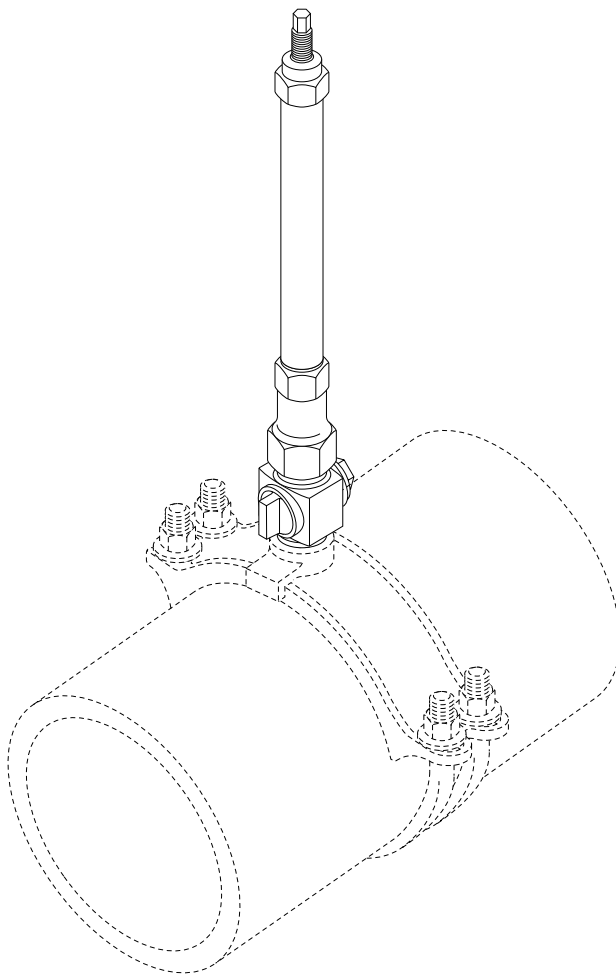




PVC Drilling Machine (DMPVC)

Replacement Parts



Parts List

Ref. No.	Description	REED Item Code	Cat No.
1	Boring Bar	94151	DMF8481
2	1" Corp. Adapter	04427	DMCA100PVC
3	3/4" Corp. Adapter	04426	DMCA75PVC
4	End Adapter	94155	DMF8485
5	Main Body	94153	DMF8483
6	Retaining Pin	30298	DMFPIN
7	Feed Nut	94154	DMF8484
8	Feed Screw	94152	DMF8482
9	O-Ring	40407	DMFPARKER2-215
10	O-Ring	40406	DMFPARKER2-209
11	Bar Stop	94159	DMF8489
12	Retaining Ring	40428	DMFWHM-102
13	Main Body Assembly	94167*	DMPBODY

*Item Code 94167 includes 94153, 94155, 94159, 40428, 40406, & 40407.

