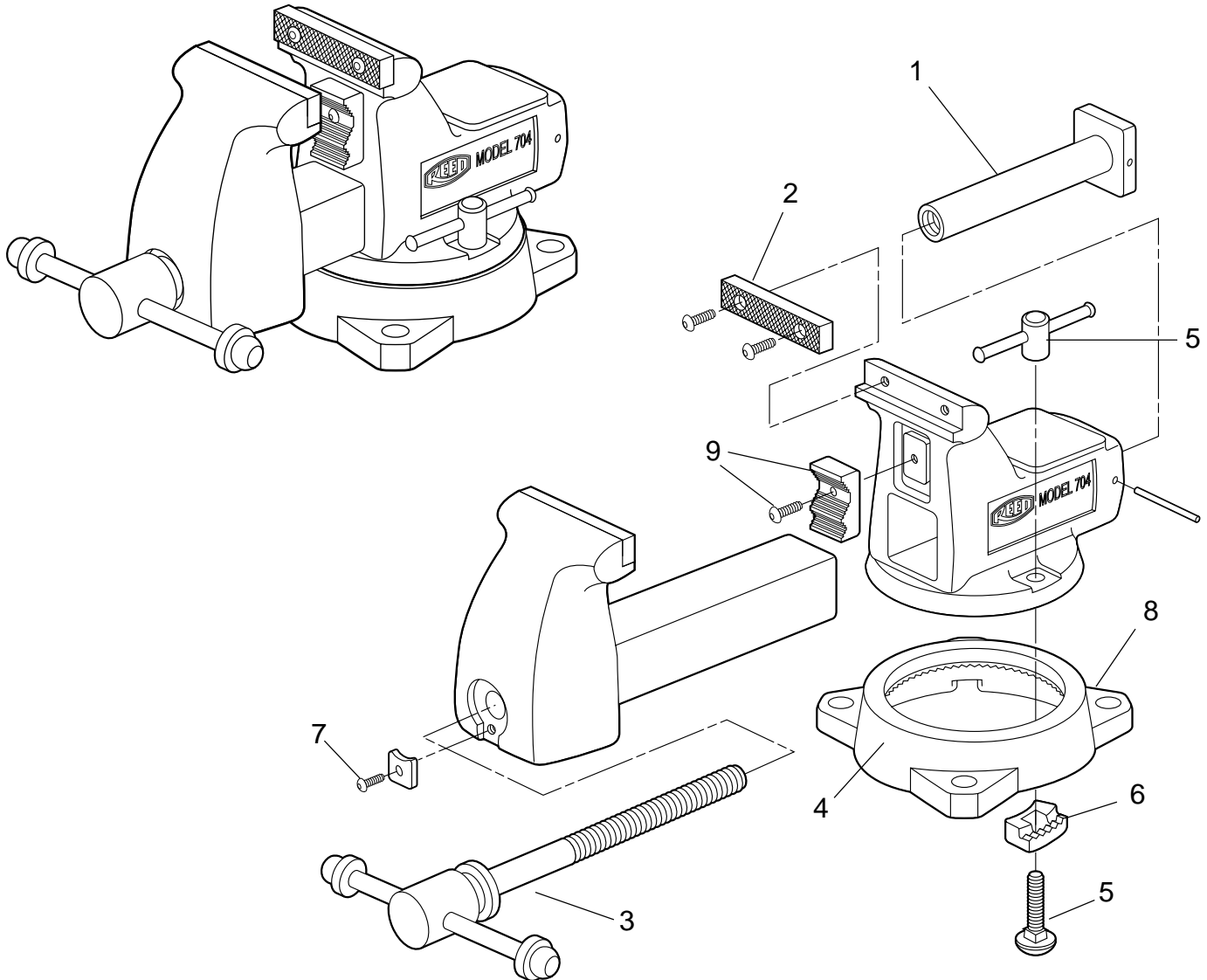




# Mid-Line Vises

## Replacement Parts



### Parts List

Ref. No.	Description	Model 704		Model 705		Model 706		Qty. Used
		Item Code	Cat. Number	Item Code	Cat. Number	Item Code	Cat. Number	
1	Nut	91940	704NT	91950	705NT	91960	706NT	1
2	Jaw Inserts	91941	704JF	91951	705JF	91961	706JF	2
3	Spindle Assembly	91942	704HS	91952	705HS	91962	706HS	1
4	Outer Ring	91943	704BR	91953	705BR	91963	706BR	1
5	Locknut Assembly	91945	704LKNT	91955	705LKNT	91965	706LKNT	1
6	Locking Pad	91946	704LP	91956	705LP	91966	706LP	1
7	Spindle Stop	91947	704SS	91957	705SS	91967	706SS	1
8	Swivel Base	91948	704K	91958	705K	91968	706K	1
9	Pipe Jaw Assembly	91949	704PJA	91959	705PJA	91969	706PJA	1

Reed Manufacturing Co.  
1425 West 8th St.  
Erie, PA 16502 U.S.A.



Phone: 800-666-3691 or 814-452-3691  
Fax: 800-456-1697 or 814-455-1697

RP-0100-42