

### 500 Series Perforated Surface Mount Diffuser

Standard:

- Hinged galvanized perforated face surface mount supply register with .055 T6 extruded aluminum frame
- Utilizes 500 CB (Adjustable Curved Blade) or 500 MA (Modular Core) extruded aluminum diffusers
- Ceiling opening must be 4" larger in length and width than nominal duct size
- Square Collar
- Countersunk mounting holes for flush appearance with color matching Phillips posi-drive screws
- Soft White

Optional:

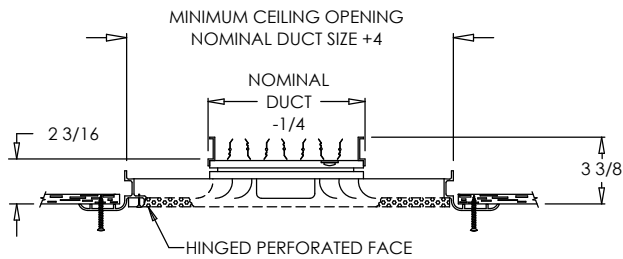
- Opposed blade damper (500 CB 40-O)
- Square to round No Labor Collar

Designer colors:

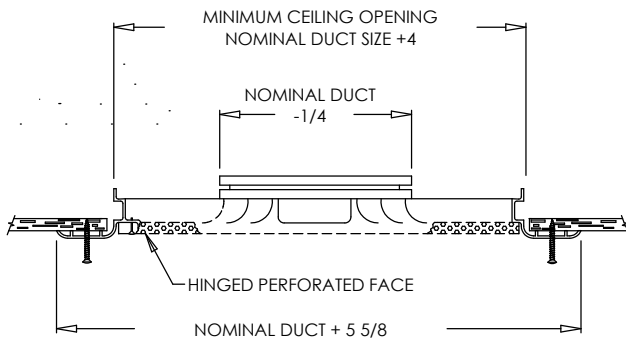
- |                                        |                                       |
|----------------------------------------|---------------------------------------|
| <input type="checkbox"/> Navajo White  | <input type="checkbox"/> Royal Blue   |
| <input type="checkbox"/> Forest Green  | <input type="checkbox"/> Coffee Tan   |
| <input type="checkbox"/> Burgundy      | <input type="checkbox"/> Almond       |
| <input type="checkbox"/> Camaro Silver | <input type="checkbox"/> Black velvet |
| <input type="checkbox"/> Bronze        | <input type="checkbox"/> Vanilla      |

Tamper Proof Screws

- "E" One Way
- "F" Torx Center Pin
- "G" Hex Center Pin



500 CB O



500

PROJECT	SUBMITTAL REVIEW
LOCATION	
ENGINEER	
ARCHITECT	
CONTRACTOR	