

### CB10 Series Adjustable Curved Blade Diffuser

#### Standard:

- Adjustable curved blade .055 T6 extruded aluminum surface mount supply diffuser
- Countersunk mounting holes for flush appearance with color matching Phillips posi-drive screws

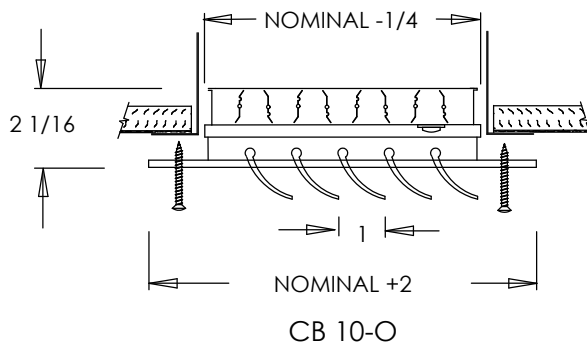
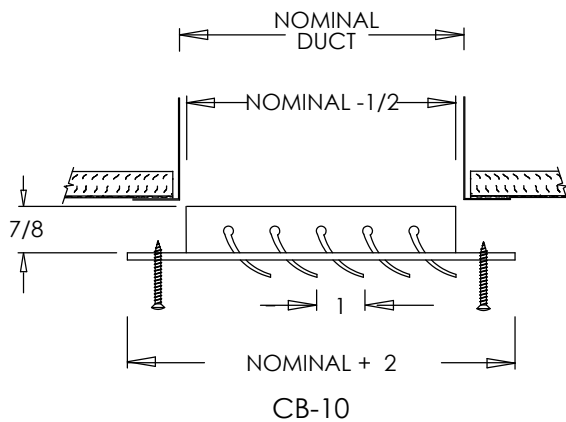
- Soft White

#### Optional:

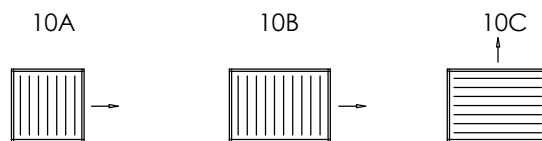
- Recessed screwdriver operated Opposed Blade Damper (CB10 O)
- Driftwood Tan
- Designer Colors
- Satin Anodized "F"

#### Tamper Proof Screws:

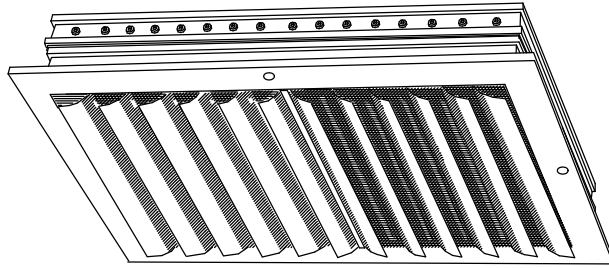
- "E" One Way
- "F" Torx Center Pin
- "G" Hex Center Pin



#### Air Patterns



PROJECT	SUBMITTAL REVIEW
LOCATION	
ENGINEER	
ARCHITECT	
CONTRACTOR	



### CB20 Series Adjustable Curved Blade Diffuser

#### Standard:

- Adjustable curved blade .055 T6 extruded aluminum surface mount supply diffuser
- Countersunk mounting holes for flush appearance with color matching Phillips posi-drive screws
- Soft White

#### Optional:

Recessed Screwdriver Operated Opposed Blade Damper (CB 20 O)

Driftwood Tan

Designer Colors

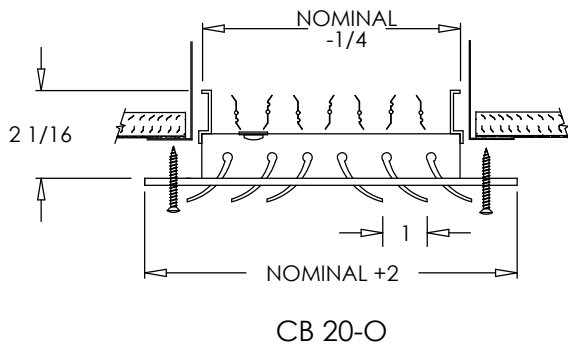
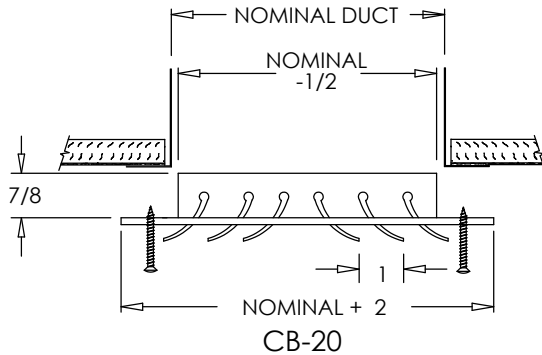
Satin Anodized "F"

#### Tamper Proof Screws:

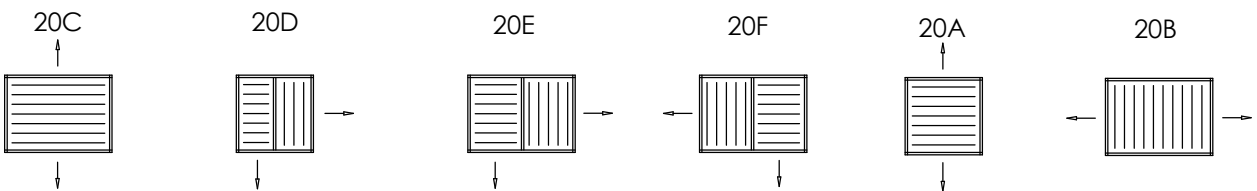
"E" One Way

"F" Torx Center Pin

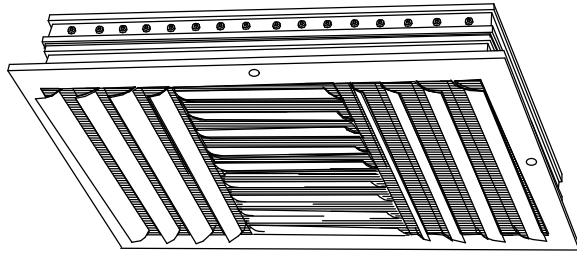
"G" Hex Center Pin



#### Air Patterns



PROJECT	SUBMITTAL REVIEW
LOCATION	
ENGINEER	
ARCHITECT	
CONTRACTOR	



### CB 30 series Adjustable Curved Blade Diffuser

#### Standard:

- Adjustable curved blade .055 T6 extruded aluminum surface mount supply diffuser
- Countersunk mounting holes for flush appearance with color matching Phillips posi-drive screws

- Soft White

#### Optional:

- Recessed Screwdriver Operated Opposed Blade Damper (CB 30 O)

- Driftwood Tan

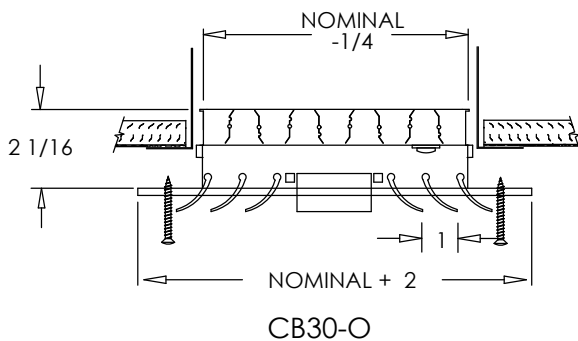
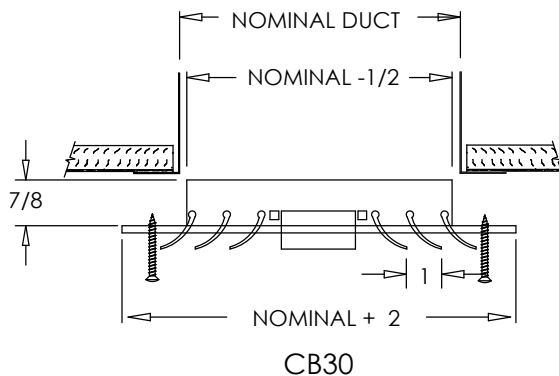
#### Designer Colors:

- |  |                                       |
|--|---------------------------------------|
| <input type="checkbox"/> Navajo White  | <input type="checkbox"/> Royal Blue   |
| <input type="checkbox"/> Forest Green  | <input type="checkbox"/> Coffee Tan   |
| <input type="checkbox"/> Burgundy      | <input type="checkbox"/> Almond       |
| <input type="checkbox"/> Camaro Silver | <input type="checkbox"/> Black Velvet |
| <input type="checkbox"/> Bronze        | <input type="checkbox"/> Vanilla      |

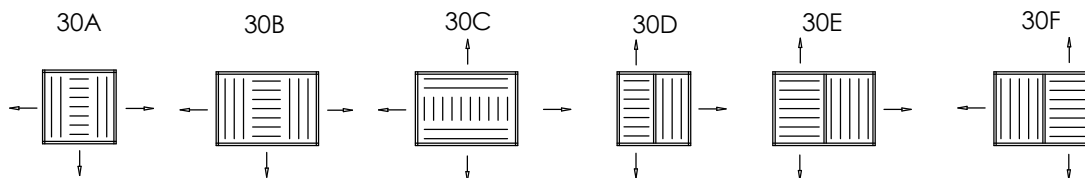
- Satin Anodized "F"

#### Tamper Proof Screws:

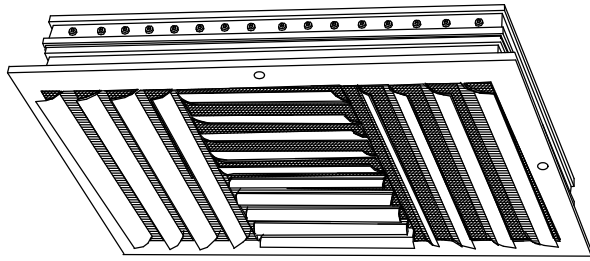
- "E" One Way
- "F" Torx Center Pin
- "G" Hex Center Pin



#### Air Patterns



PROJECT	SUBMITTAL REVIEW
LOCATION	
ENGINEER	
ARCHITECT	
CONTRACTOR	



### CB40 series Adjustable Curved Blade Diffuser

#### Standard:

- Adjustable curved blade .055 T6 extruded aluminum surface mount supply diffuser
- Countersunk mounting holes for flush appearance with color matching Phillips posi-drive screws
- Soft White

#### Optional:

- Recessed Screwdriver Operated Opposed Blade Damper (CB 40 O)

- Driftwood Tan

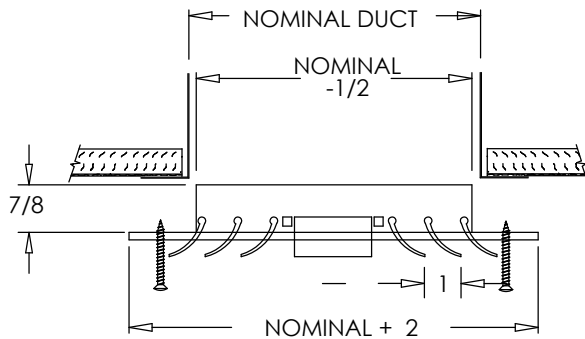
#### Designer Colors:

- |  |                                       |
|--|---------------------------------------|
| <input type="checkbox"/> Navajo White  | <input type="checkbox"/> Royal Blue   |
| <input type="checkbox"/> Forest Green  | <input type="checkbox"/> Coffee Tan   |
| <input type="checkbox"/> Burgundy      | <input type="checkbox"/> Almond       |
| <input type="checkbox"/> Camaro Silver | <input type="checkbox"/> Black Velvet |
| <input type="checkbox"/> Bronze        | <input type="checkbox"/> Vanilla      |

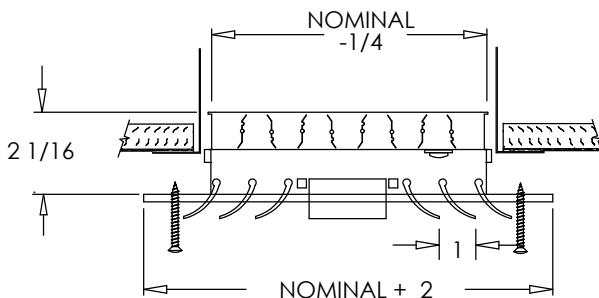
- Satin Anodized "F"

#### Tamper Proof Screws:

- "E" One Way
- "F" Torx Center Pin
- "G" Hex Center Pin

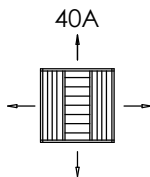


CB40



CB40-O

#### Air Patterns



PROJECT	SUBMITTAL REVIEW
LOCATION	
ENGINEER	
ARCHITECT	
CONTRACTOR	