

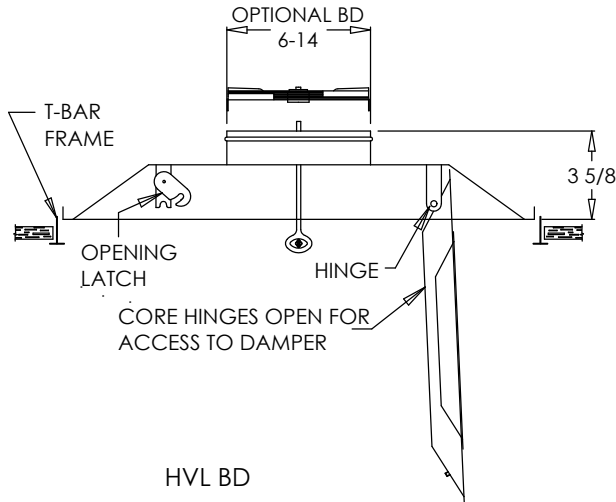
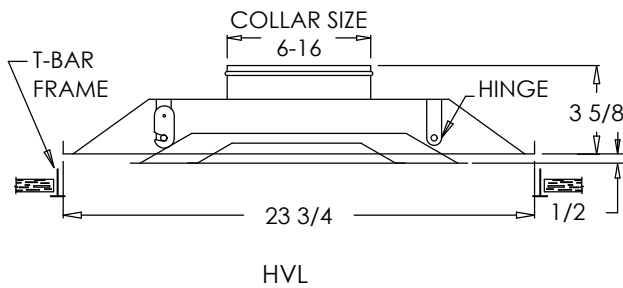
HVL Series T-Bar High Volume Diffuser

Standard:

- Galvanneal steel face designed for high volume air delivery
- 360° air diffusion
- Hinged down core for easy access
- No Labor collar
- Seismic support holes
- Collar sizes 6", 7", 8", 9", 10", 12", 14", & 16"

Optional:

- Field installable Bowtie Damper (BD)
- Factory installed Opposed Radial Damper sizes 6"-14" (HVL-OR)
- Square Collar
- TVB -Thermal Vapor Blanket: 1" thick 2x2 foil faced self adhesive insulation blanket

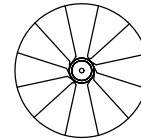


BD

Open



Closed



PROJECT	SUBMITTAL REVIEW
LOCATION	
ENGINEER	
ARCHITECT	
CONTRACTOR	