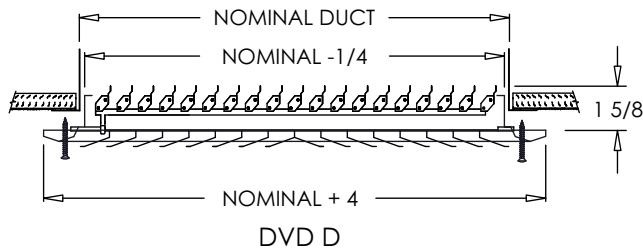

DVD Series
Square & Rectangular
Directional Diffuser
Optional Air Patterns
Standard:

- Removable core surface mount diffuser
- Steel frame and formed steel fixed blades
- One, two, two-way corner, three and four-way air patterns
- Countersunk mounting holes for flush appearance with color matching Phillips posi-drive screws
- Soft White


Optional:

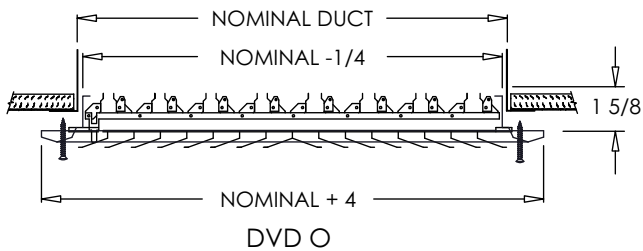
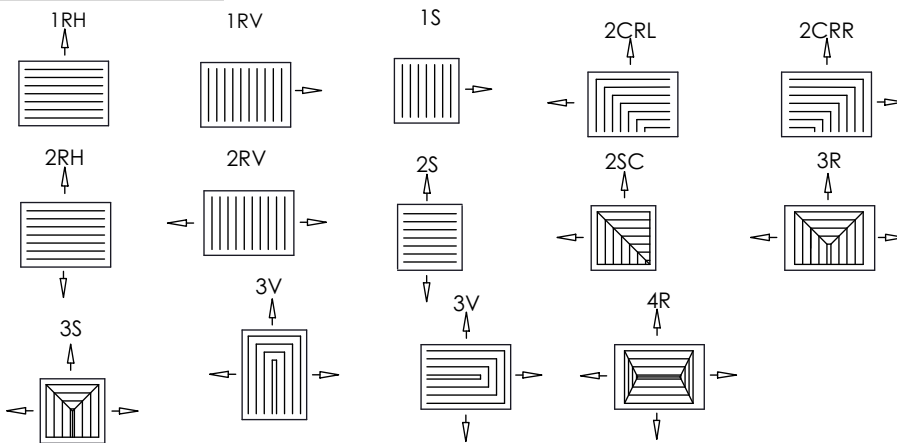
- Concealed mount (DVD CM)
- Square to round No Labor Collar
- Steel Multi-shutter damper with concealed volume control lever (DVD D)
- Multi-shutter opposed blade damper with concealed volume control lever (DVD O)

Finishes:

- Driftwood Tan
- Designer Colors

Tamper Proof Screws:

- "E" One Way
- "F" Torx Center Pin
- "G" Hex Center Pin


DVD Core Patterns:


Print Form

PROJECT

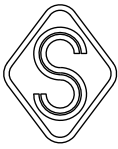
SUBMITTAL REVIEW

LOCATION

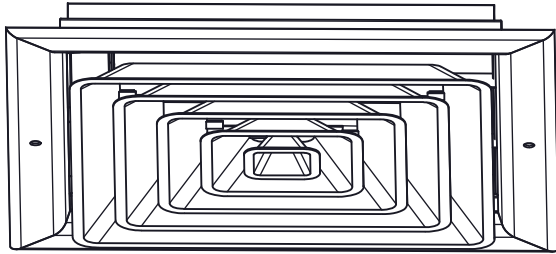
ENGINEER

ARCHITECT

CONTRACTOR



DVD Series Square Directional Diffuser



Standard:

- Removable core surface mount diffuser
- Steel core with aluminum frame
- Countersunk mounting holes for flush appearance with color matching Phillips posi-drive screws
- Available in square EVEN sizes 6x6 thru 16x16
- Soft White

Options:

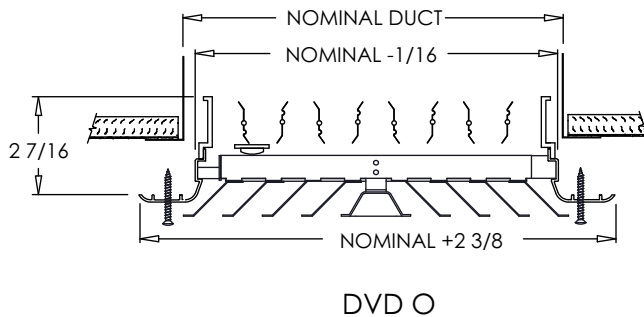
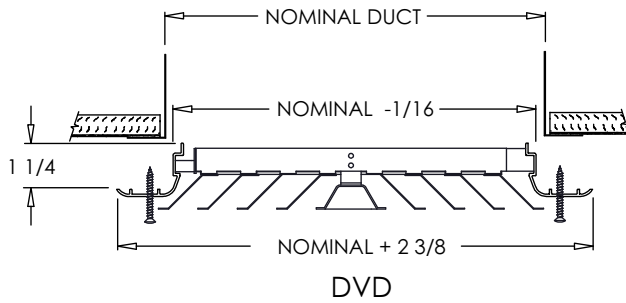
- Aluminum Opposed Blade Damper
- Square to round No Labor Collar

Finishes:

- Driftwood Tan
- Designer Colors

Tamper Proof Screws:

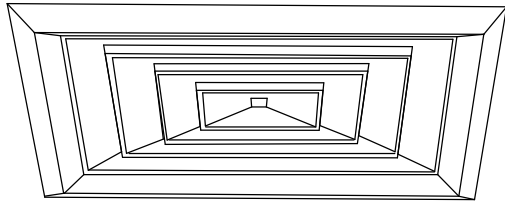
- "E" One Way
- "F" Torx Center Pin
- "G" Hex Center Pin



Print Form

PROJECT
LOCATION
ENGINEER
ARCHITECT
CONTRACTOR

SUBMITTAL REVIEW


DVD DCF Series
Square & Rectangular
Directional Diffuser
Standard:

- Deep Ceiling Frame - the steel frame design prevents smudging of ceiling surface area surrounding diffuser.
- Removable core
- One, Two, Two-way corner, three and four-way air patterns
- Countersunk mounting holes for flush appearance with color matching Phillips posi-drive screws
- Soft White

Optional:

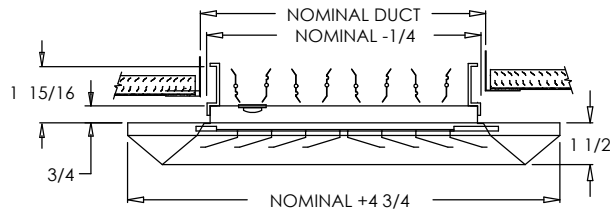
- Concealed mount (DVD DCF CM)
- Square to round No Labor Collar
- Steel Multi-shutter damper with concealed volume control lever (DVD DCF D)
- Multi-shutter opposed blade damper with concealed volume control lever (DVD DCF O)

Finishes:

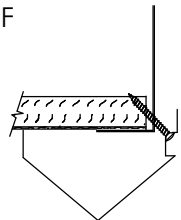
- Driftwood Tan
- Designer Colors

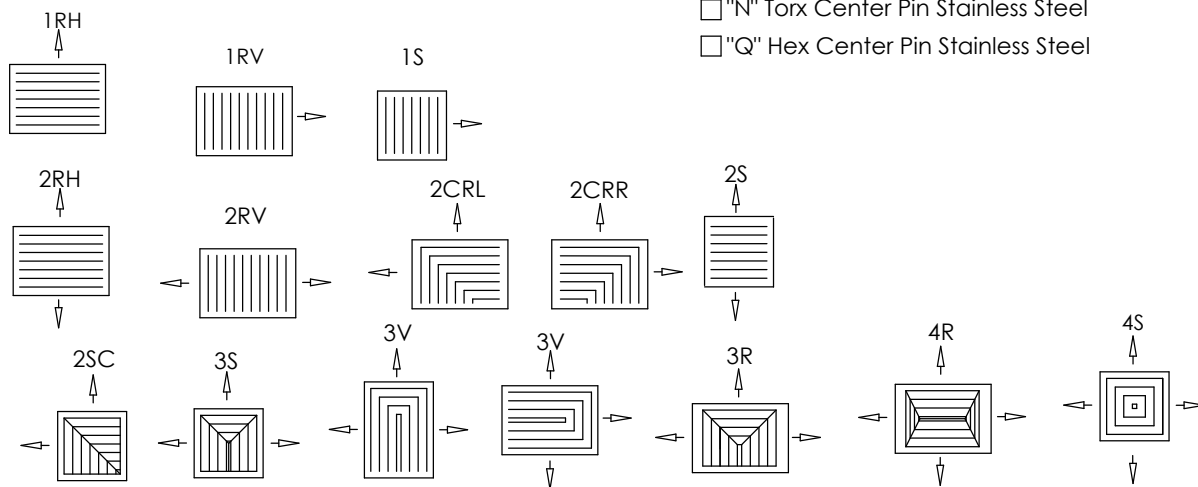
Tamper Proof Screws:

- "M" One Way Stainless Steel
- "N" Torx Center Pin Stainless Steel
- "Q" Hex Center Pin Stainless Steel



DVD DCF


 DVD DCF CM
 Concealed
 Mounting

DVD Core Patterns:


PROJECT

SUBMITTAL REVIEW

LOCATION

ENGINEER

ARCHITECT

CONTRACTOR