

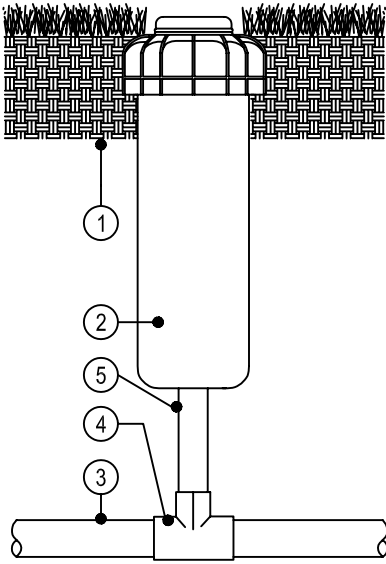


TORO-IRRIGATION DIVISION
 5825 JASMINE STREET
 RIVERSIDE, CA 92504
 TOLL FREE: 1-800-664-4740
 PHONE: (951) 785-3152
 FAX: (951) 359-1870
 www.toro.com

LEGEND

- ① APPROVED BACKFILL
- ② TORO TRXX-XX SPRINKLER
- ③ LATERAL PIPE
- ④ LATERAL TEE
- ⑤ NIPPLE

NOTE:
 INSTALL SPRINKLER
 AT FINISHED GRADE

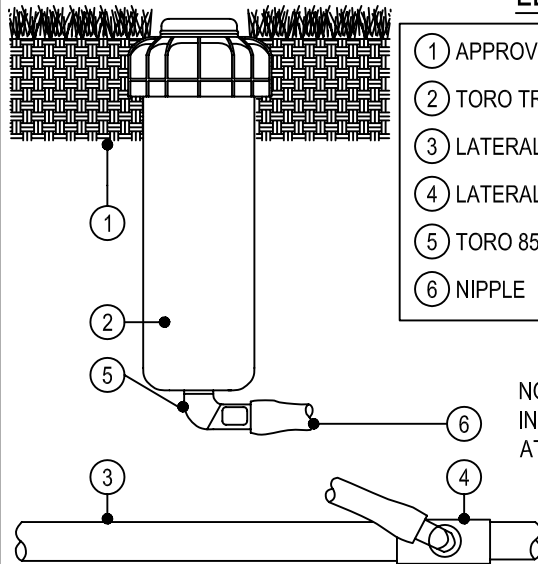


RISER
 NOT TO SCALE

LEGEND

- ① APPROVED BACKFILL
- ② TORO TRXX-XX SPRINKLER
- ③ LATERAL PIPE
- ④ LATERAL TEE
- ⑤ TORO 850-32 BARBED MALE ELL
- ⑥ NIPPLE

NOTE:
 INSTALL SPRINKLER
 AT FINISHED GRADE

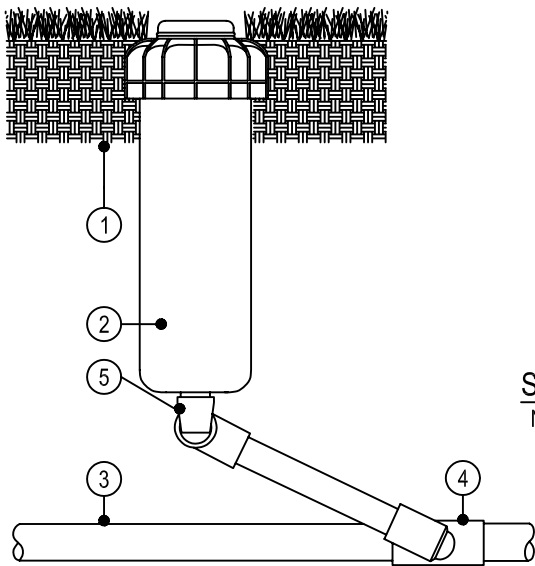


SUPER FUNNY PIPE
 NOT TO SCALE

LEGEND

- ① APPROVED BACKFILL
- ② TORO TRXX-XX SPRINKLER
- ③ LATERAL PIPE
- ④ LATERAL TEE
- ⑤ MANUFACTURED SWING JOINT

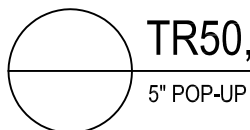
NOTE:
 INSTALL SPRINKLER
 AT FINISHED GRADE



SWING JOINT
 NOT TO SCALE

NOTES:

1. INSTALLATION TO BE COMPLETED IN ACCORDANCE WITH MANUFACTURERS SPECIFICATIONS.
2. DO NOT SCALE DRAWINGS.
3. CONTRACTORS NOTE: FOR PRODUCT AND COMPANY INFORMATION VISIT www.CADdetails.com/info REFERENCE NUMBER 065-157.



TR50, TR50XT, TR70XT SERIES

5" POP-UP