

*This unit offers anti-siphon protection.*

The freezeless Model 17 is designed and intended for year-round residential irrigation purposes regardless of outside temperature. This faucet will not rupture from freezing when the valve is shut off and the hose is removed. The Model 17 contains an integral backflow protection device which protects up to 125 psi of backpressure and therefore does not require and add-on vacuum breaker.

**SPECIFICATIONS:**

- Manufactured under one or more of the following patents: 3,208,715; 3,278,201; 5,590,679; 5,632,303
- ASSE 1019 - Type C Listed
- CSA, cUPC Approved

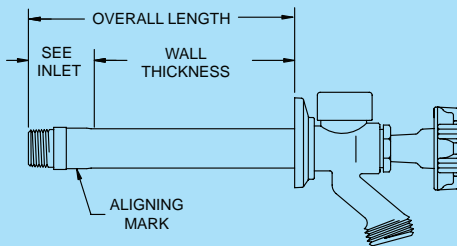


**FEATURES:**

- 3/4" male hose thread nozzle
- Stainless steel seat - eliminates wire draw
- EPDM packing to prevent leaking
- Full circle operating threads on valve body and retainer
- No-lead solder
- Standard "O" size seat washer
- Powder-coated, die cast aluminum handle
  - Optional Tee Key available (extra charge)
- Adjustable polycarbonate wall flange
- **MAX PRESSURE** - 125 p.s.i.
- **MAX TEMPERATURE** - 120° F

**WARNING** - Faucet must be installed with downward pitch toward nozzle and hose must be removed in freezing weather or faucet may freeze and burst.  
*Not intended for continuous use applications.*

**Rough-In Dimensions**



Wall Thickness (inches)										
4	6	8	10	12	14	16	18	20	22	24
1.2	1.3	1.4	1.5	1.6	1.7	1.8	1.9	2.0	2.1	2.2

Shipping Wt. Ea. (lbs)  
 \*Overall Length Dimension: Add wall thickness and inlet option length shown in chart above.

**For Installation / Troubleshooting Instructions go to [www.woodfordmfg.com](http://www.woodfordmfg.com) or call 1-800-621-6032**

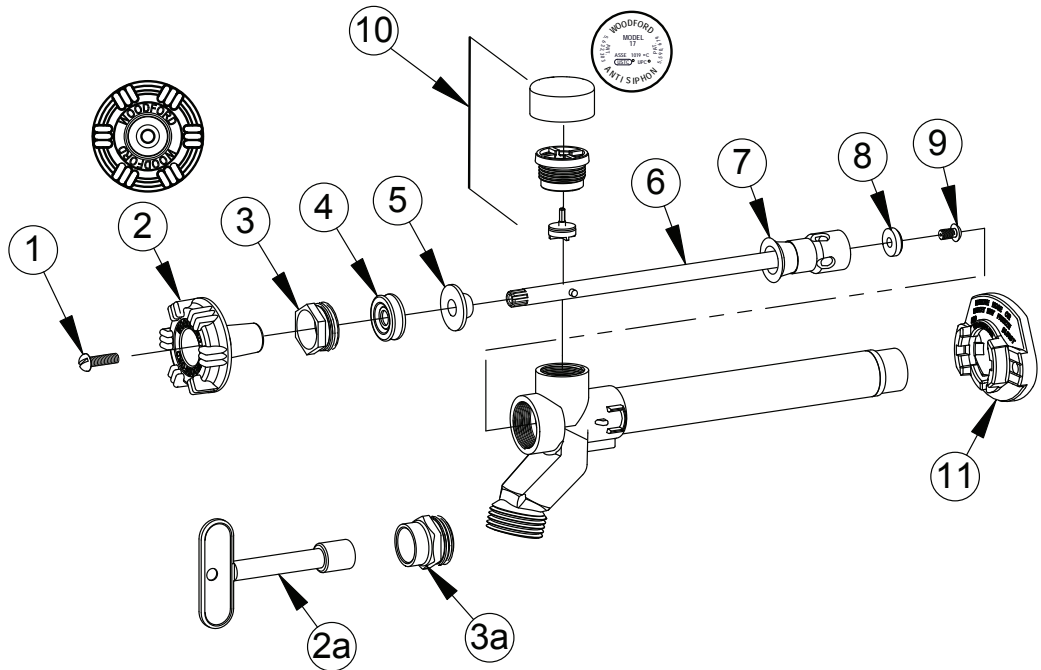
# Freezeless Anti-Siphon Wall Faucet Model 17



**Inlet Descriptions**

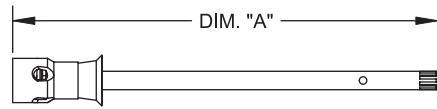
	<p><b>C Inlet</b> COMBINATION Copper Sweat Fitting 1/2" K, L or M Inside 3/4" M Only Outside</p>
	<p><b>CP Inlet</b> COMBINATION 1/2" Male Pipe Thread 1/2" Female Sweat</p>
	<p><b>CP3 Inlet</b> COMBINATION 3/4" Male Pipe Thread 3/4" Female Sweat</p>
	<p><b>P Inlet</b> COMBINATION 1/2" Female Pipe Thread 3/4" Male Pipe Thread</p>
	<p><b>PX Inlet</b> 1/2" PEX Tube Fitting <b>PX3 INLET</b> 3/4" PEX Tube Fitting <b>W Inlet</b> 1/2" Wirsbo Tube Fitting <b>W3 INLET</b> 3/4" Wirsbo PEX Tube Fitting <b>R Inlet</b> 1/2" Rehau Tube Fitting</p>
	<p><b>CM Inlet</b> COMBINATION 1/2" Compression Fitting 1/2" Copper Sweat Fitting</p>

*When ordering, specify model , inlet and wall thickness.*



### MODEL 17 PARTS LIST

ITEM	PART#	DESCRIPTION
1	30002	Handle Screw
2	30096	Wheel Handle - Round Powder Coated Die Cast Aluminum
2a	50012	Tee Key (Optional)
3	30059	Packing Nut
3a	30512	Packing Nut w/deep stem guard (Optional)
4	30560	EPDM Packing
5	30421	Packing Support Washer
6	35XXX	Valve Stem Assembly (See chart at right) Includes Items 6, 7, 8 & 9
7	30459	Check Valve
8	30008	Valve Seat Rubber
9	30009	Retainer Screw
10	RK-17VB	Vacuum Breaker Float Kit
11	30098	Adjustable Flange
	RK-17	Repair Kit (Includes items 1-5, & 7-10)



VALVE STEM ASSEMBLY DIM "A"		
Wall Thickness	Overall Length	Part No.
4	5 7/8"	35720
6	7 7/8"	35721
8	9 7/8"	35722
10	11 7/8"	35723
12	13 7/8"	35724
14	15 7/8"	35725
16	17 7/8"	35736
18	19 7/8"	35726
20	21 7/8"	35737
22	23 7/8"	35738
24	25 7/8"	35727



For more information contact...

## WOODFORD MANUFACTURING COMPANY

2121 Waynoka Road, Colorado Springs, Colorado 80915 • Phone: (800) 621-6032 • Fax: (800) 765-4115  
 To view our complete product line visit: [www.woodfordmfg.com](http://www.woodfordmfg.com) or email: [sales@woodfordmfg.com](mailto:sales@woodfordmfg.com)  
 A Division Of WCM Industries, Inc.